

// 11 BETALED PRODUCT SERIES

ILLUMINATION - TO THE POINT!

BetaLED

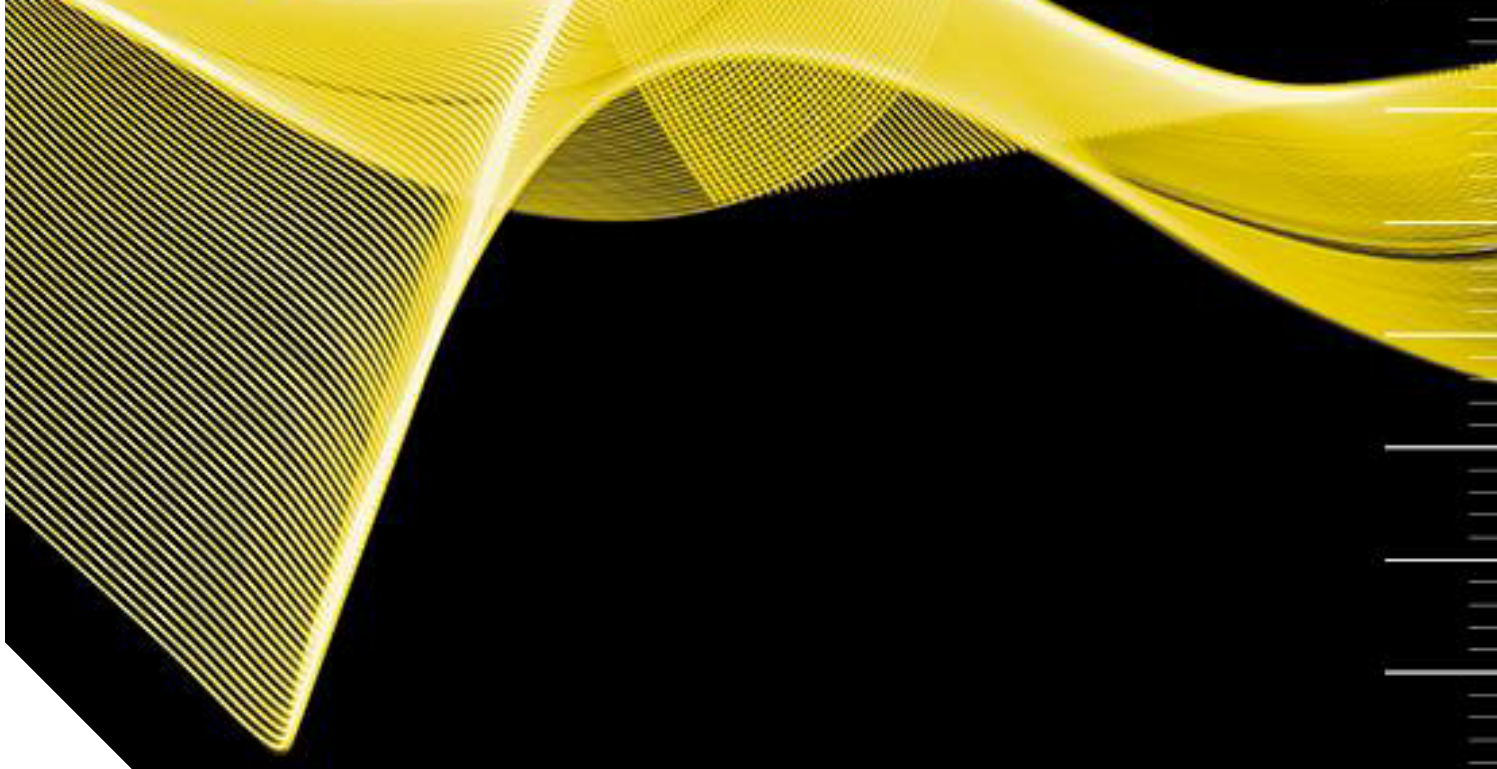
Our BetaLED workplace lamps simply get to the point:
with or without arms.

In just a few steps you can quickly and easily direct the light to a specific area.

At first glance, one would not have expected the lamps to be
that flexible – due to their robust and „striking“ appearance.
But believe us: our BetaLED lamps are real space-saving miracles.

Rotatable, swivelling, robust and flexible – a really good combination!





BetaLED G

// TECHNICAL DATA

ITEM NO.: 595-031-001

Operating voltage	24 V DC
Rated output	6x2 W
Ambient temp.	-5°C - max. 40°C
System of protection	IP65
Protection class	SK II
Weight	3,5 kg
Glass plate	Borosilicate
Lamp housing	Aluminium, lacquered
Type of lighting	Articulated lamp
Scope of application	Industrial sector



// LIGHT SOURCES

Number of LEDs	6
Current	0,5 A
Luminous flux	1020 lm
Light efficiency	85 lm / W
Light colour	6500 K

// BALLAST (external)

Output voltage	24 V DC
Output power	min. 16 W

// ELECTRICAL CONNECTION

Connection	1,8 m connection cable
------------	------------------------

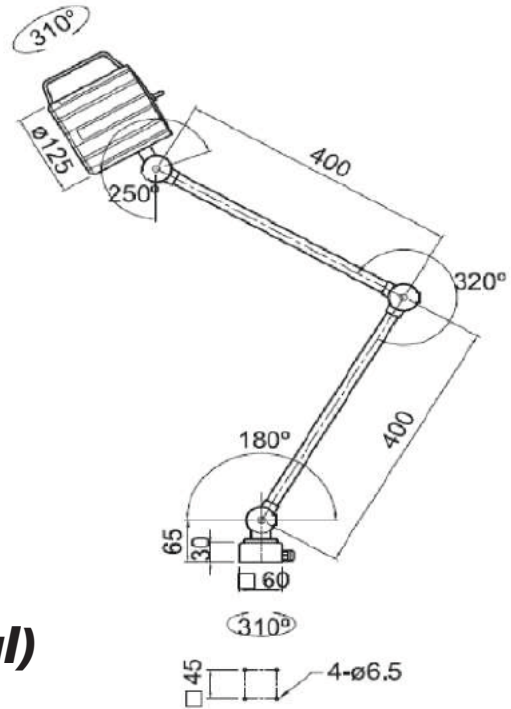
// FEATURES

- Robust aluminium housing
- Handle on the lamp head – secure and quick direction of the light
- Flexible and individual positioning – due to long arms
- Illumination of a specific point
- Further versions (lamp head with switch) available

// SHORT OVERVIEW

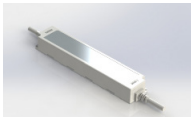
TYPE	ITEM NO.	VOLTAGE	POWER	LUMINOUS/ LUMEN	COVERAGE	DIMENSIONS/ MM	CONNECTION
BetaLED G	595-031-001	24 V DC	6x2W	1020	Borosilicate	400x400x60	1,8m cable

// TECHNICAL DRAWING



// FIXING / ACCESSORIES (optional)

Power supply SELV (IP67)

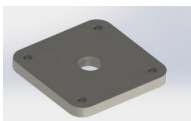


ITEM NO. 213-820-219

Input: 110-240 V | 50-60 Hz

Output: 24 V DC | max. 25 W

Fixation plate



ITEM NO. 350-003-060

for rotary base in stainless steel 1.4301

Screw terminal



ITEM NO. 599-001-006

for rotary base fixing

Magnet

Ø 80mm 45x45 with fixing screws

ITEM NO. 599-002-002

Mounting bracket

for rotary base fixing

ITEM NO. 599-001-009

// STANDARDS

EN 55015:2016-04
 EN 60598-1:2015-10
 EN 62031:2015-09

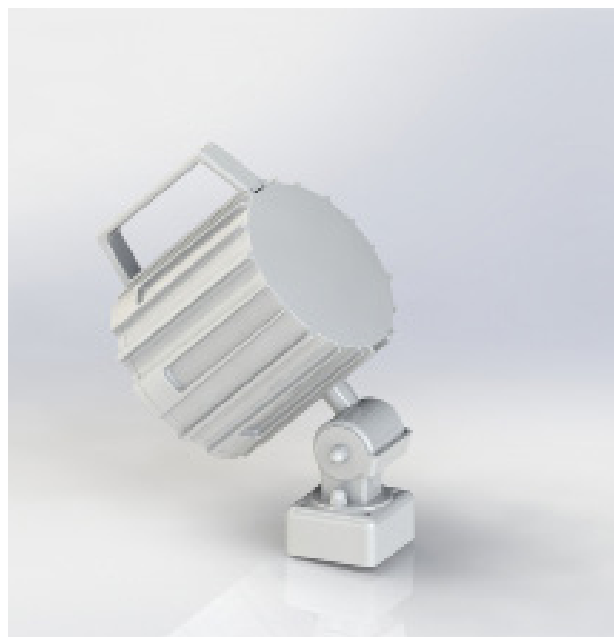
TECHMALUX

BetaLED SP

// TECHNICAL DATA

ITEM NO.: 595-032-001

Operating voltage	24 V DC
Rated output	6x2 W
Ambient temp.	-5°C - max. 40°C
System of protection	IP65
Protection class	SK II
Weight	1,04 kg
Glass plate	Borosilicate
Lamp housing	Aluminium, lacquered
Type of lighting	Articulated lamp
Scope of application	Industrial sector



// LIGHT SOURCES

Number of LEDs	6
Current	0,5 A
Luminous flux	1020 lm
Light efficiency	85 lm / W
Light colour	6500 K

// BALLAST (external)

Output voltage	24 V DC
Output power	min. 16 W

// ELECTRICAL CONNECTION

Connection	1,8 m connection cable
------------	------------------------

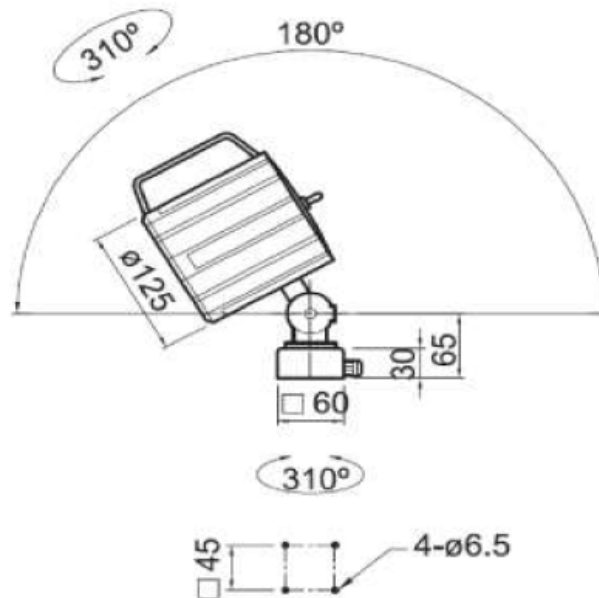
// FEATURES

- Robust aluminium housing
- Easy positioning due to handle on the lamp head
- Spotlight – illumination of a specific point
- Flexible and easy positioning
- Further versions available (lamp head with switch)

// SHORT OVERVIEW

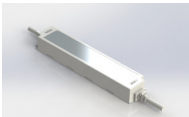
TYPE	ITEM NO.	VOLTAGE	POWER	LUMINOUS/ LUMEN	COVERAGE	DIMENSIONS/ MM	CONNECTION
BetaLED SP	595-032-001	24 V DC	6x2W	1020	Borosilicate	40x65x60	1,8m cable

// TECHNICAL DRAWING



// FIXING / ACCESSORIES (optional)

Power supply SELV (IP67)

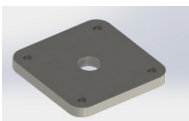


ITEM NO. 213-820-219

Input: 110-240 V | 50-60 Hz

Output: 24 V DC | max. 25 W

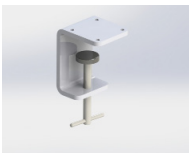
Fixation plate



ITEM NO. 350-003-060

for rotary base in stainless steel 1.4301

Screw terminal



ITEM NO. 599-001-006

for rotary base fixing

Magnet

Ø 80mm 45x45 with fixing screws

ITEM NO. 599-002-002

Mounting bracket

for rotary base fixing

ITEM NO. 599-001-009

// STANDARDS

EN 55015:2016-04
 EN 60598-1:2015-10
 EN 62031:2015-09

TECHMALUX