

TECHMALUX

THE NEW DIMENSION OF LIGHTING TECHNOLOGY

// MACHINE LAMPS LIGHTING SYSTEMS



FKB[®]
GmbH

// LIGHTING SYSTEMS FOR INDUSTRIAL WORKPLACES



// LIGHT IS AN ESSENTIAL PART OF OUR LIVES // WHO WE ARE



With innovative products and our modern production we have become in less than 40 years a renowned manufacturer of fastening and lighting technology. Thanks to decades of experience we know the demands and quality requirements of our customers on us and our products.

We love to face new challenges with commitment and dedication. Together with our customers and suppliers we want to move successfully towards the future. We understand that the status quo may have to change to meet the needs and requirements of our business partners. FKB GmbH stands for all this with our brands RSB FASTENING TECHNOLOGY and TECHMALUX LIGHTING TECHNOLOGY. At our sites in Oberndorf am Neckar/Germany and Taicang, Jiangsu Province/China

// OUR STRENGTHS



For more than a quarter of a century FKB GMBH has been developing and producing machine and workplace lamps under the brand name TECHMALUX. The TECHMALUX range of lamps covers a wide spectrum of technical lighting.

In addition to in-house developments, we globally act as a reliable partner to our customers offering them advice and assistance in order to jointly find solutions.

- What distinguishes us – an overview:
- Over 25 years of experience in the field of technical lighting for the engineering sector
 - In-house tool shop
 - In-house development department
 - In-house production
 - Special designs according to customers' requirements
 - Personal advice
 - Worldwide sales
 - High quality standards



// 01 AULED [BUILT-IN/SURFACE]

03 - 04	AuLED10/501001	24 V		UL	
05 - 06	AuLED20/502001	24 V		UL	
07 - 08	AuLED20/502200	230 V			
09 - 10	AuLED22/502021	24 V		UL	
11 - 12	AuLED30/503001	24 V		UL	
13 - 14	AuLED30/503006	24 V		stainless steel	
15 - 16	AuLED30/503012	24 V		cooled	
17 - 18	AuLED30/503010	24 V		built-in	
19 - 20	AuLED40/504001	24 V		UL	
21 - 22	AuLED40/504003	24 V		red/white UL	
23 - 24	AuLED50/505001	24 V		UL	
25 - 26	AuLED50/505003	24 V		stainless steel UL	

// 02 CANDOLUX [BUILT-IN]

29 - 30	LEDAX100/027105	230 V			
31 - 32	Candolux/033105	24 V		UL	
33 - 34	LEDAX200	230 V			
35 - 36	Candolux/035103	24 V		UL	

// 03 CARLIFT [SURFACE]

39 - 40	CarLift/153005	24 V		UL	
41 - 42	CarLift/153007	24 V		UL	
43 - 44	CarLift/153036	24 V		overmolding UL	

// 04 SETROLINE [SURFACE/BUILT-IN/TUBE]

47 - 48	Setroline70/170001	230 V			
49 - 50	Setroline70/170031	24 V		UL	
51 - 52	Setroline40/169001	24 V			
53 - 54	Setroline70/170012	230 V		dimnable	

// 05 ROLED [TUBE]

57 - 58	RoLED70/5002	24 V		UL	
59 - 60	RoLED70/6001	230 V			
61 - 62	RoLED70/6026	230 V		stainless steel	

// 06 STABLED [TUBE]

65 - 66	StabLED20/162022	24 V		UL	
67 - 68	StabLED26/166002	24 V		UL	
69 - 70	StabLED26/166005	24 V		UL	

// 07 MINILED [TUBE]

73 - 74	MiniLED7/001015	24 V			
---------	-----------------	------	--	--	--

// 08 LUMOLED SE [TUBE]

77 - 78	LumoLED SE	230 V			
---------	------------	-------	--	--	--

// 09 LUMOLED S3 [TUBE]

81 - 82	LumoLED S3	230 V			
83 - 84	LumoLED S3	230 V		overmolding	

// 10 LUMOLED K2/K3 [TUBE]

87 - 88	LumoLED K2	230 V			
89 - 90	LumoLED K3	230 V			
91 - 92	LumoLED K2	24 V			
93 - 94	LumoLED K2	24 V			

// 11 BETALED [DIRECTIONAL LAMP]

97 - 98	BetaLED G	24 V			
99 - 100	BetaLED SP	24 V			

// 12 LED SPOT [SPOT]

103 - 104	LEDSpot 3x3 W	0,7A			
105 - 106	LEDSpot	24 V			
107 - 108	LEDSpot	24 V		built-in	
109 - 110	LEDSpot	24 V		screw version	
111 - 112	LEDSpot	24 V		stainless steel	

// 13 MONOLED [FLEXIBLE ARM]

115 - 116	MonoLED	230 V			
117 - 118	MonoLED	24 V			

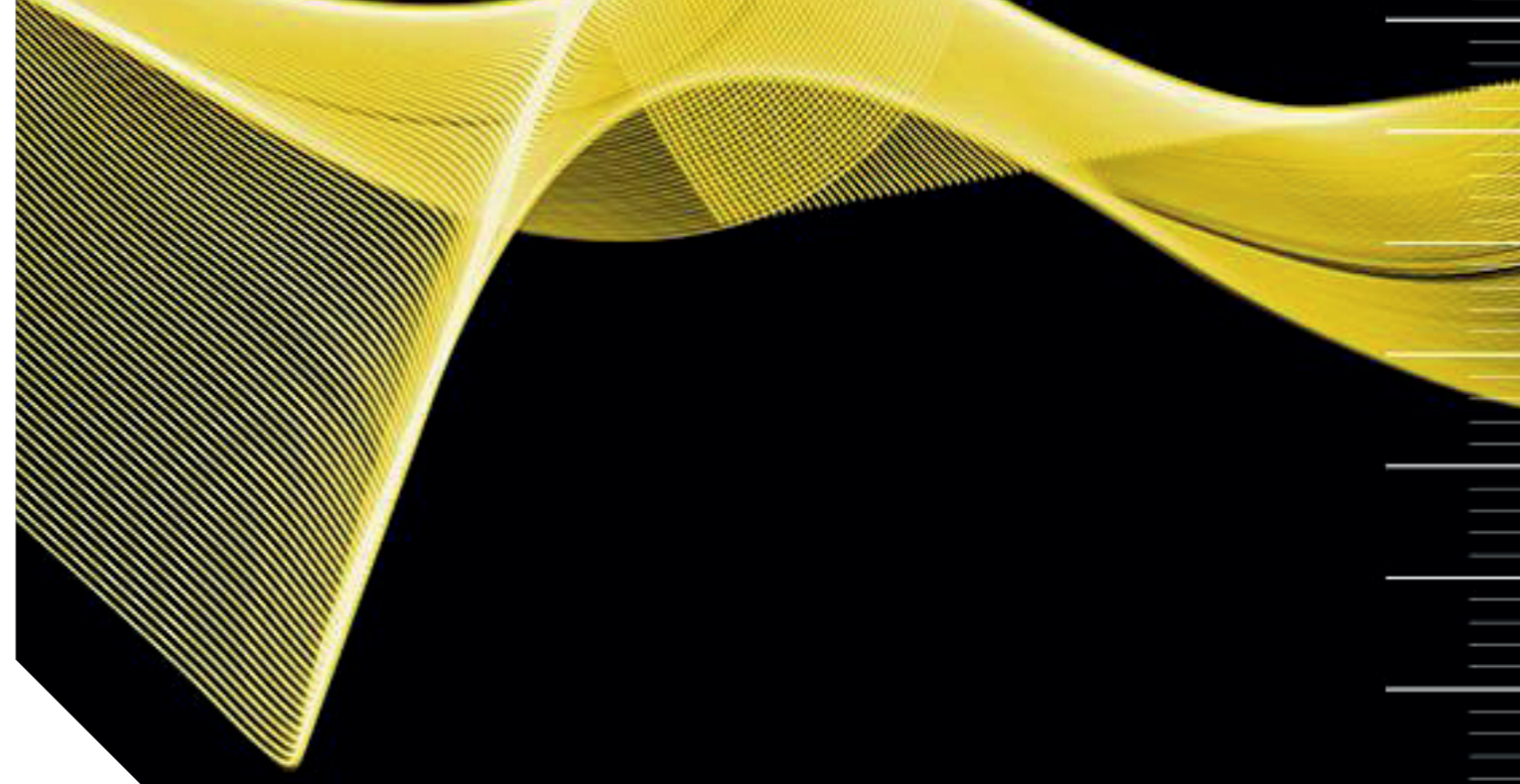
// 14 POLYLED [DIRECTIONAL LAMP]

121 - 122	PolyLED SP	24 V			
123 - 124	PolyLED SP	230 V			



// 01 AULED PRODUCT SERIES

STYLE & FUNCTIONALITY IN PERFECTION



AuLED

What distinguishes our AuLED product series?

High quality, a straightforward, appealing design, functionality and an enormous range of available model variants, thus offering an unbeatably wide variety of applications.

The AuLED type of lamp is a true „allrounder“, its housing made of aluminium or stainless steel, cooled, as built-in or surface lamp, M8 or M12 connector, pure white light or the combination of all colours ... please discover on the next pages the great diversity of our AuLED product range.

As diverse as the models available are the potential fields of applications of our AuLED lamps: no matter whether it is in the food industry, classical mechanical engineering, textile industry or in workshops – our AuLED lamps reliably ensure optimal lighting conditions.



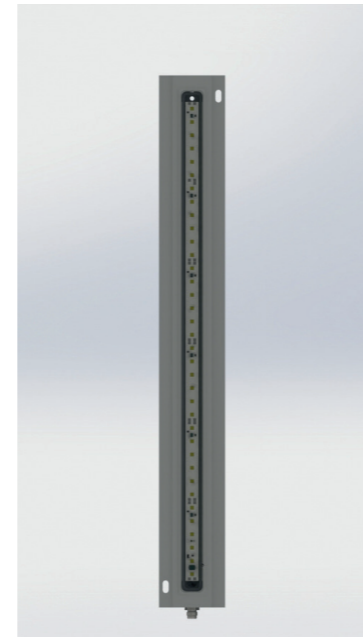
AuLED 10/501001



// TECHNICAL DATA

ITEM.NO.: 592-501-001

Operating voltage	24 V DC
Rated output	10 W
Ambient temp.	-5°C - max. 40°C
System of protection	IP67
Protection class	SK II
Weight	0,59 kg
Glass plate	ESG
Lamp housing	Aluminium, anodized
Type of lighting	Built-in lamp
Scope of application	Industrial sector



// LIGHT SOURCES

Number of LEDs	36
Current	420 mA
Lifetime	> 60.000 h
Colour rendering	Ra > 80
Energy efficiency class	A ++
Luminous flux	1260 lm
Light efficiency	125 lm / W
Light colour	5000 K

// BALLAST (external)

Output voltage	24 V DC
Output power	min. 14 W

// ELECTRICAL CONNECTION

Type of connection	Flange plug M8x1, 3-pole
Pin assignment	Pin 1: + 24 V DC; Pin 3: GND

// FEATURES

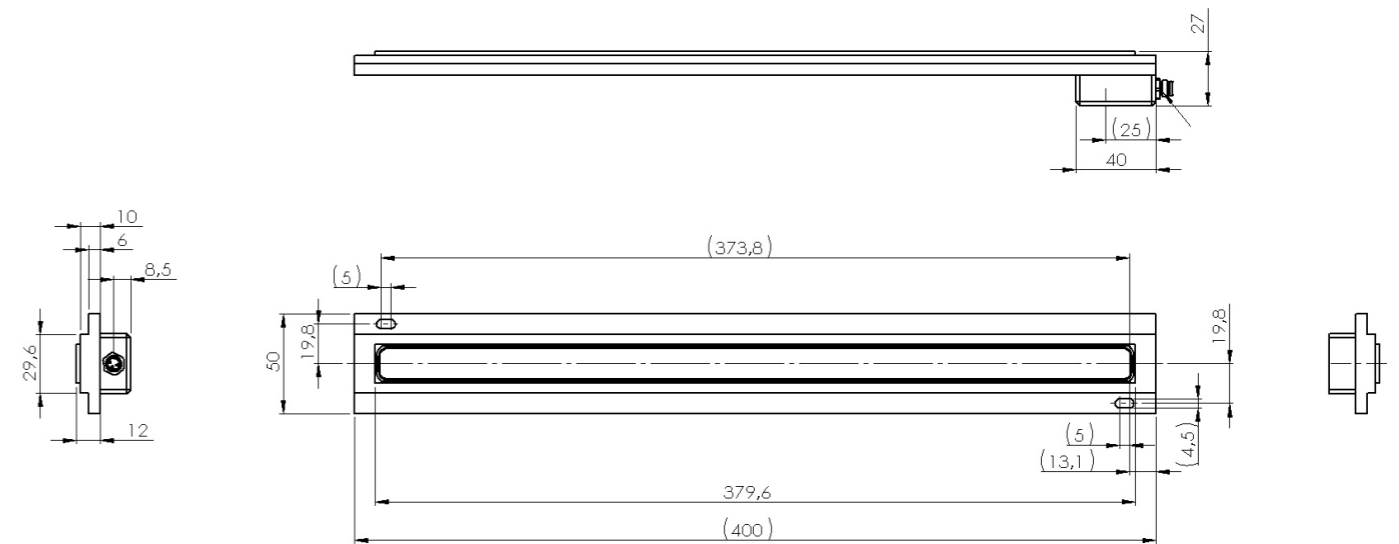
- Good heat dissipation via its robust aluminium body
- Low installation height
- Protection against temporary submersion
- ESG glass
- M8 plug connector



// SHORT OVERVIEW

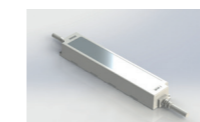
TYPE	ITEM NO.	VOLTAGE	POWER	LUMINOUS/LUMEN	COVERAGE	DIMENSIONS/MM	PLUG
AuLED 10	592-501-001	24 V DC	10 W	1260	ESG, satined	400x49x12	M8, lateral

// TECHNICAL DRAWING



// ACCESSORIES (optional)

Power supply SELV (IP67)



Item No. 213-820-219
 Input: 110-240 V | 50-60 Hz
 Output: 24 V DC | max. 25 W

Connection cable M8



Item No. 214-100-001
 System of protection IP67 | Length = 2 m

// STANDARDS

EN 55015:2016-04
 EN 60598-1:2015-10
 EN 62031:2015-09
 UL 2108

TECHMALUX

AuLED 20/502001

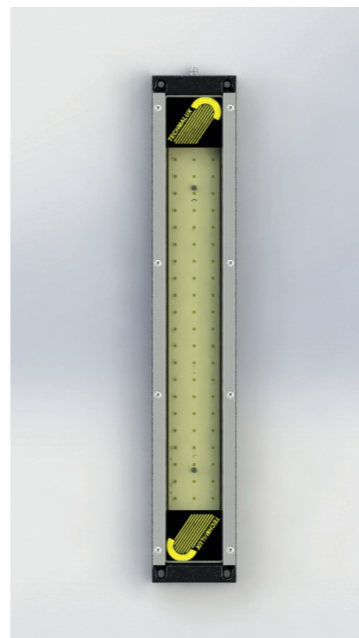
RGBW
available



// TECHNICAL DATA

ITEM NO.: 592-502-001

Operating voltage	24 V DC
Rated output	24 W
Ambient temp.	-5°C - max. 40°C
System of protection	IP67
Protection class	SK II
Weight	1,7 kg
Glass plate	ESG
Lamp housing	Aluminium, anodized
Type of lighting	Surface lamp
Scope of application	Industrial sector



// SHORT OVERVIEW

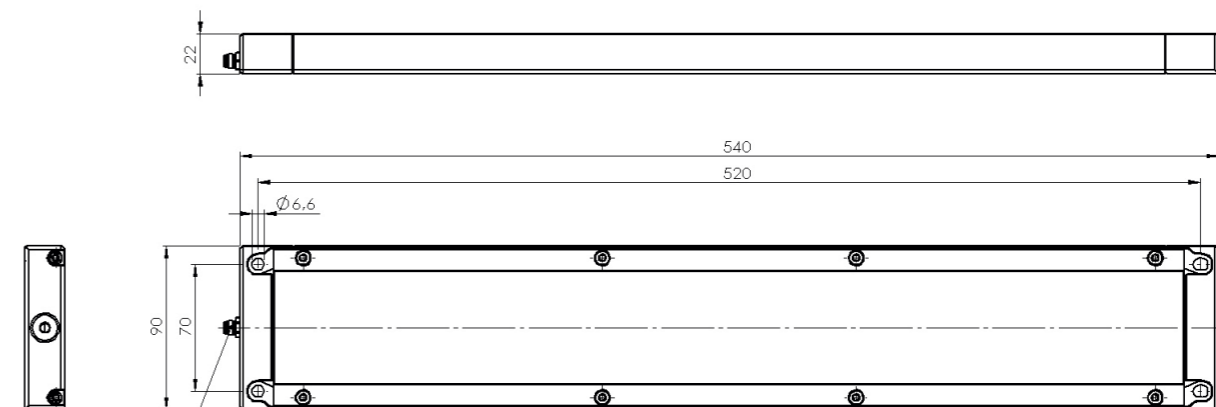
TYPE	ITEM NO.	VOLTAGE	POWER	LUMINOUS/LUMEN	COVERAGE	DIMENSIONS/MM	PLUG
AuLED 20	592-502-001	24 V DC	24 W	3380	ESG, satined	540x90x22	M8, lateral

// VARIATIONS

TYPE	ITEM NO.	VOLTAGE	POWER	LUMINOUS/LUMEN	COVERAGE	DIMENSIONS/MM	PLUG
AuLED 20	592-502-002	24 V DC	24 W	3380	ESG, clear	540x90x22	M8, back-mounted
AuLED 20	592-502-005	24 V DC	24 W	3380	ESG, satined	540x90x22	M12, lateral
AuLED 20 RGBW	592-502-024	24 V DC	33,6 W	2520 (W) 360 (RGB)	ESG, satined	540x90x22	M12, back-mounted
AuLED 20	592-502-019	24 V DC	24 W	3380	ESG, clear	513x138x25	Han3A
AuLED 20 red/white	592-502-022	24 V DC	13 W 47 W	420 5880	ESG, satined	540x90x22	M12, lateral

Other variations available! For further information, please contact us.

// TECHNICAL DRAWING



// LIGHT SOURCES

Number of LEDs	63
Current	918 mA
Lifetime	> 60.000 h
Colour rendering	Ra > 80
Energy efficiency class	A ++
Luminous flux	3380 lm
Light efficiency	153 lm / W
Light colour	5000 K

// BALLAST (external)

Output voltage	24 V DC
Output power	min. 28 W

// ELECTRICAL CONNECTION

Type of connection	Flange plug M8x1, 3-pole
Pin assignment	Pin 1: + 24 V DC; Pin 3: GND

// FEATURES

- Low installation height – for space-saving installation
- Robust & efficient – that's how a surface lamp should be
- RGBW variant available!
- Very good light output
- Other versions available



// ACCESSORIES (optional)

Power supply SELV (IP66)

ITEM NO. 213-820-212
Input: 220-240 V 0-60 Hz
Output: 24 V DC max. 40 W

Power supply SELV (IP66)

ITEM NO. 213-820-214
Input: 220-240 V 0-60 Hz
Output: 24 V DC max. 60 W

Connection cable M8

ITEM NO. 214-100-001
System of protection: IP 67
Length = 2 m

// STANDARDS

EN 55015:2016-04
EN 60598-1:2015-10
EN 62031:2015-09
UL 2108

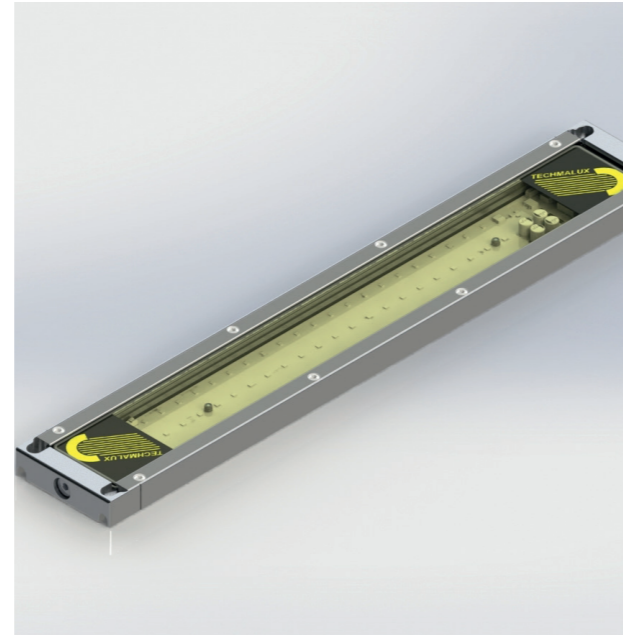
TECHMALUX

AuLED 20/502200

// TECHNICAL DATA

ITEM NO.: 592-502-200

Operating voltage	230 V AC 50 Hz
Rated output	33 W
Ambient temp.	-5°C - max. 40°C
System of protection	IP67
Protection class	SK I
Weight	1,7 kg
Glass plate	ESG
Lamp housing	Aluminium, anodized
Type of lighting	Surface lamp
Scope of application	Industrial sector

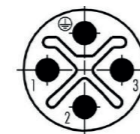


// LIGHT SOURCES

Number of LEDs	60
Power factor	0,99
Lifetime	> 60.000 h
Colour rendering	Ra > 80
Luminous flux	3300 lm
Light efficiency	100 lm / W
Light colour	5000 K

// ELECTRICAL CONNECTION

Type of connection	Flange plug M12x1, 4-pole (S-coded)
Pin assignment	Pin 1: L ; Pin 3: N ; Pin 4: PE



// FEATURES

- Connection directly to 230 V
- Various designs available – in-built or surface
- No additional ballast required
- Flat and robust aluminium housing
- ESG glass

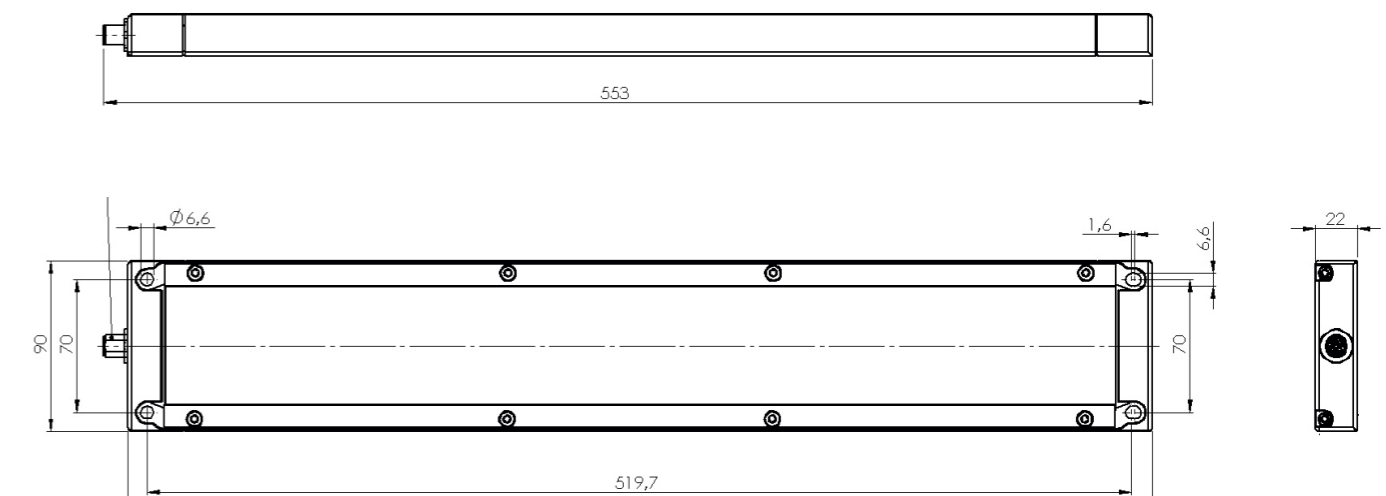
// SHORT OVERVIEW

TYPE	ITEM NO.	VOLTAGE	POWER	LUMINOUS/LUMEN	COVERAGE	DIMENSIONS/ MM	PLUG
AuLED 20	592-502-200	230 V AC	33 W	3300	ESG, satined	553x90x22	M12, lateral

// VARIATIONS

TYPE	ITEM NO.	VOLTAGE	POWER	LUMINOUS/LUMEN	COVERAGE	DIMENSIONS/ MM	PLUG
AuLED 20 built-in	592-502-250	230 V AC	33 W	3300	ESG, satined	513x138x25	M12, lateral

// TECHNICAL DRAWING



// STANDARDS

- EN 55015:2016-04
- EN 60598-1:2015-10
- EN 62031:2015-09
- EN 61000-4-4:2013-4
- EN 61000-3-2:2015-3
- EN 61000-4-5:2015-03
- EN 61000-3-3:2014-03
- EN 61000-4-2: 2009-12

// ACCESSORIES (optional)

Cable box

M12x1 | 4-pole | S-coded
ITEM NO.: 213-080-046

TECHMALUX

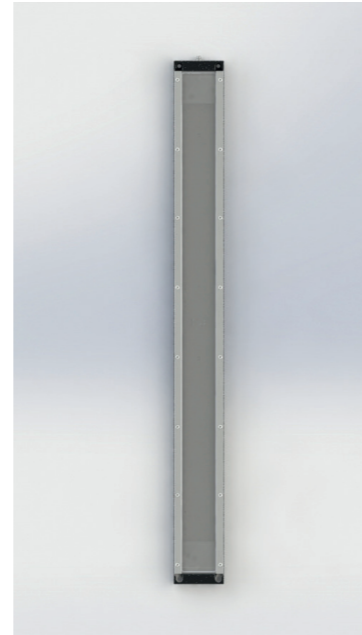
AuLED 22/502021



// TECHNICAL DATA

ITEM NO.: 592-502-021

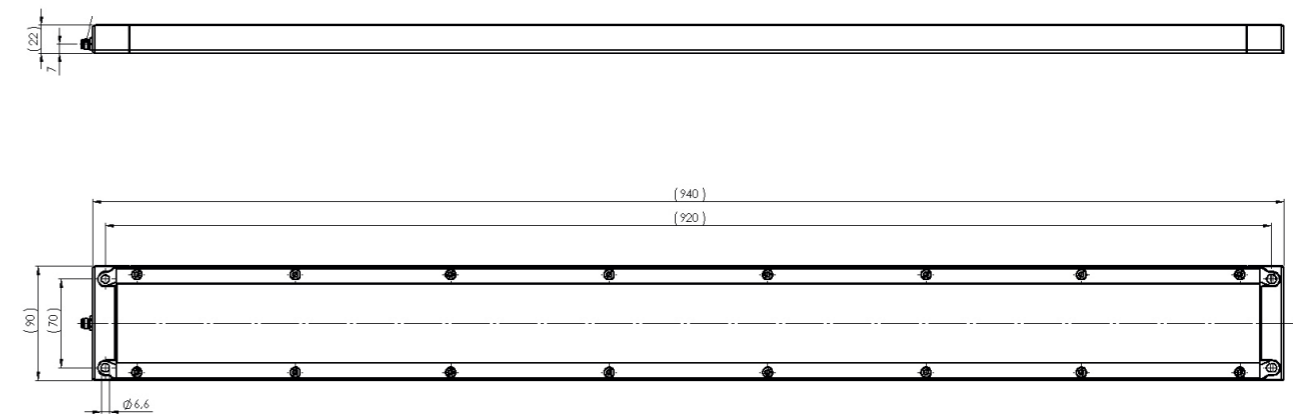
Operating voltage	24 V DC
Rated output	48 W
Ambient temp.	-5°C - max. 40°C
System of protection	IP67
Protection class	SK II
Weight	3,8 kg
Glass plate	ESG
Lamp housing	Aluminium, anodized
Type of lighting	Surface lamp
Scope of application	Industrial sector



// SHORT OVERVIEW

TYPE	ITEM NO.	VOLTAGE	POWER	LUMINOUS/LUMEN	COVERAGE	DIMENSIONS/MM	PLUG
AuLED 22	592-502-021	24 V DC	48 W	6760	ESG, clear	940x90x22	M8, lateral

// TECHNICAL DRAWING



// LIGHT SOURCES

Number of LEDs	126
Current	1,84 A
Lifetime	> 60.000 h
Colour rendering	Ra > 80
Energy efficiency class	A ++
Luminous flux	6760 lm
Light efficiency	153 lm / W
Light colour	5000 K

// BALLAST (external)

Output voltage	24 V DC
Output power	min. 52 W

// ELECTRICAL CONNECTION

Type of connection	Flange plug M8x1, 3-pole
Pin assignment	Pin 1: + 24 V DC; Pin 3: GND

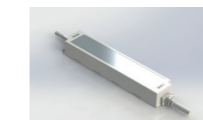
// FEATURES

- Protection against temporary submersion
- Space-saving installation due to slim design
- Style & functionality perfectly combined
- Good light output – highest luminous flux of this lamp series
- Uncomplicated M8 plug connector



// ACCESSORIES (optional)

Power supply SELV (IP66)



ITEM NO. 213-820-214

Input: 220-240 V | 0-60 Hz |

Output: 24 V DC | max. 60 W

Connection cable M8



ITEM NO. 214-100-001

System of protection IP 67 | Length = 2 m

// STANDARDS

EN 55015:2016-04
 EN 60598-1:2015-10
 EN 62031:2015-09
 UL 2108

TECHMALUX

AuLED 30/503001



// TECHNICAL DATA

ITEM NO.: 592-503-001

Operating voltage	24 V DC
Rated output	9 W
Ambient temp.	-5°C - max. 40°C
System of protection	IP67
Protection class	SK II
Weight	0,408 kg
Glass plate	ESG
Lamp housing	Aluminium, anodized
Type of lighting	Surface lamp
Scope of application	Industrial sector



// SHORT OVERVIEW

TYPE	ITEM NO.	VOLTAGE	POWER	LUMINOUS/LUMEN	COVERAGE	DIMENSIONS/MM	PLUG
AuLED 30	592-503-001	24 V DC	9 W	1330	ESG, clear	135x60x12	M8, lateral

// VARIATIONS

TYPE	ITEM NO.	VOLTAGE	POWER	LUMINOUS/LUMEN	COVERAGE	DIMENSIONS/MM	PLUG
AuLED 30	592-503-003	24 V DC	9 W	1330	PC	135x60x12	M8, back-mounted
AuLED 30	592-503-007	24 V AC	9 W	1330	ESG, clear	140x80x22	M8, lateral
AuLED 30 built-in	592-503-011	24 V DC	7 W	840	ESG, satined	185x74x22,5	M12, lateral
AuLED 30 switch	592-503-014	24 V DC	9 W	1330	ESG, clear	135x60x12	M8, lateral
AuLED30	592-503-015	24 V DC	9 W	1330	PC, satined	135x60x12	M8, back-mounted

Other variations available! For further information, please contact us.

// LIGHT SOURCES

Number of LEDs	42
Current	375 mA
Lifetime	> 60.000 h
Colour rendering	Ra > 80
Energy efficiency class	A ++
Luminous flux	1330 lm
Light efficiency	147 lm / W
Light colour	5000 K

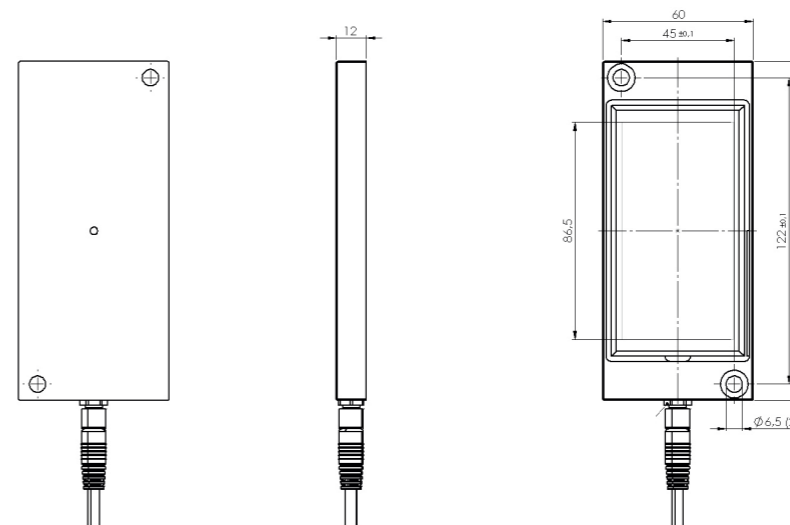
// BALLAST (external)

Output voltage	24 V DC
Output power	min. 14 W

// ELECTRICAL CONNECTION

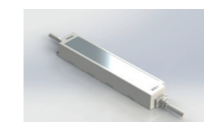
Type of connection	Flange plug M8x1, 3-pole
Pin assignment	Pin 1: + 24 V DC; Pin 3: GND

// TECHNICAL DRAWING



// ACCESSORIES (optional)

Power supply SELV (IP67)



ITEM NO. 213-820-219

Input: 110-240 V | 50-60 Hz

Output: 24 V DC | max. 25 W

Connection cable M8



ITEM NO. 214-100-001

System of protection IP 67 | Length = 2 m

// STANDARDS

EN 55015:2016-04
EN 60598-1:2015-10
EN 62031:2015-09
UL 2108

// FEATURES

- Small, compact & extremely efficient
- Slim design – low installation height
- Low maintenance and service-friendly
- High luminous flux – despite the small design
- Connection cable included



TECHMALUX

AuLED 30/503006

stainless steel



// TECHNICAL DATA

ITEM NO.: 592-503-006

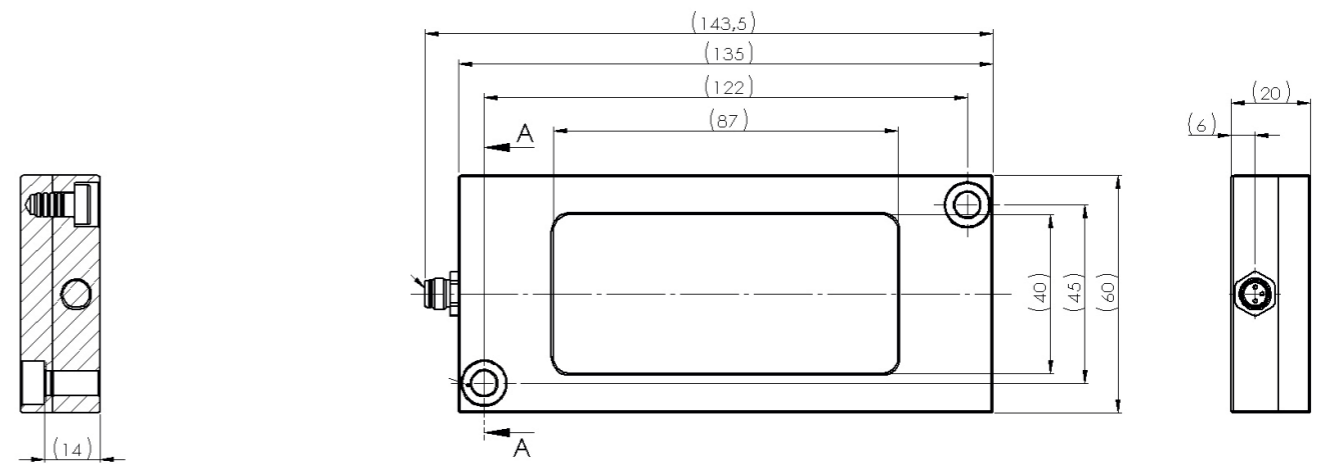
Operating voltage 24 V DC
 Rated output 9 W
 Ambient temp. -5°C - max. 40°C
 System of protection IP67
 Protection class SK II
 Weight 0,408 kg
 Glass plate ESG
 Lamp housing Stainless steel
 Type of lighting Surface lamp
 Scope of application Industrial sector



// SHORT OVERVIEW

TYPE	ITEM NO.	VOLTAGE	POWER	LUMINOUS/LUMEN	COVERAGE	DIMENSIONS/MM	PLUG
AuLED 30	592-503-006	24 V DC	9 W	1330	ESG, clear	135x60x20	M8, lateral

// TECHNICAL DRAWING



// LIGHT SOURCES

Number of LEDs 42
 Current 375 mA
 Lifetime > 60.000 h
 Colour rendering Ra > 80
 Energy efficiency class A ++
 Luminous flux 1330 lm
 Light efficiency 147 lm / W
 Light colour 5000 K

// BALLAST (external)

Output voltage 24 V DC
 Output power min. 14 W

// ELECTRICAL CONNECTION

Type of connection Flange plug M8x1, 3-pole
 Pin assignment Pin 1: + 24 V DC; Pin 3: GND

// FEATURES

- Lamp housing made of high-quality stainless steel
- Particularly suitable for use in the food sector
- High luminous flux – the lamp is a small „power pack“
- Energy efficiency class A++
- Plug connector M8 – quick and easy to connect



// ACCESSORIES (optional)

Power supply SELV (IP67)

ITEM NO. 213-820-219
 Input: 110-240 V | 50-60 Hz
 Output: 24 V DC | max. 25 W

Connection cable M8

ITEM NO. 214-100-001
 System of protection IP 67 | Length = 2 m

// STANDARDS

EN 55015:2016-04
 EN 60598-1:2015-10
 EN 62031:2015-09
 UL 2108

TECHMALUX

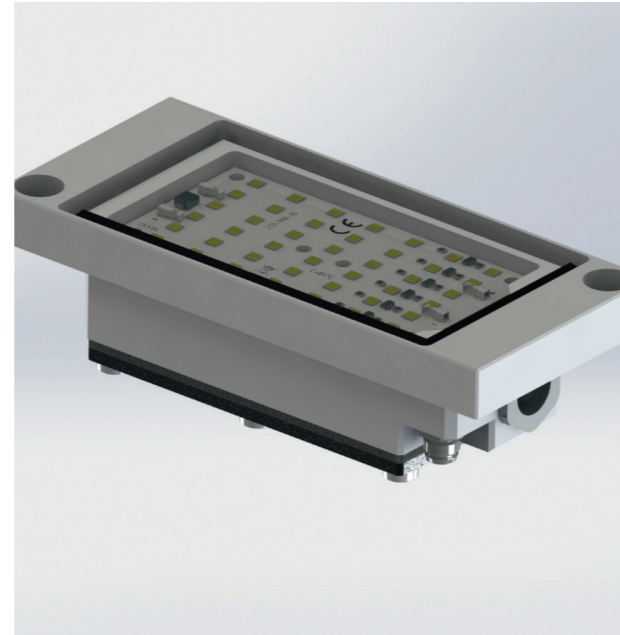
AuLED 30/503012

cooled

// TECHNICAL DATA

ITEM NO.: 592-503-012

Operating voltage 24 V DC
 Rated output 9 W
 Ambient temp. -5°C - max. 140°C
 System of protection IP67
 Protection class SK II
 Weight 0,4 kg
 Glass plate ESG
 Lamp housing Aluminium, anodized
 Type of lighting Cooled lamp
 Scope of application Industrial sector



// LIGHT SOURCES

Number of LEDs 42
 Radiation angle FWHP 120°
 Lifetime > 60.000 h
 Colour rendering Ra > 80
 Energy efficiency class A ++
 Luminous flux 1330 lm
 Light efficiency 147 lm / W
 Light colour 5000 K

// BALLAST (external)

Output voltage 24 V DC
 Output power min. 14 W

// ELECTRICAL CONNECTION

Type of connection Flange plug M8x1, 3-pole
 Pin assignment Pin 1: + 24 V DC; Pin 3: GND

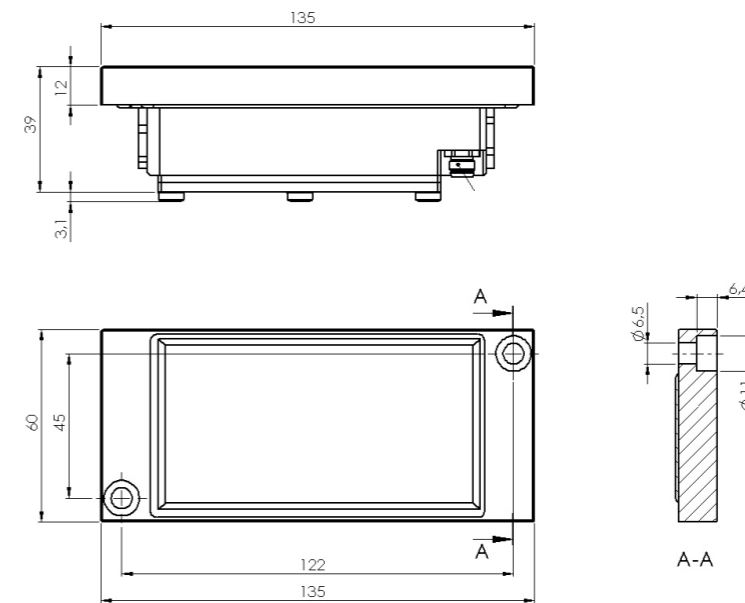
// FEATURES

- Cooled variant – for use in particularly harsh environments – designed for high temperatures, water cooling required
- Connection 3/8" for cooling system
- Brand-new, innovative, robust & efficient

// SHORT OVERVIEW

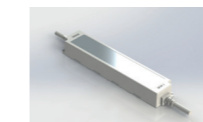
TYPE	ITEM NO.	VOLTAGE	POWER	LUMINOUS/LUMEN	COVERAGE	DIMENSIONS/MM	PLUG
AuLED 30	592-503-012	24 V DC	9 W	1330	ESG, clear	135x60x42	M8, back-mounted

// TECHNICAL DRAWING



// ACCESSORIES (optional)

Power supply SELV (IP67)



ITEM NO. 213-820-219

Input: 110-240 V | 50-60 Hz

Output: 24 V DC | max. 25 W

Connection cable M8



ITEM NO. 214-100-001

System of protection IP 67 | LENGTH = 2 m

// STANDARDS

EN 55015:2016-04
 EN 60598-1:2015-10
 EN 62031:2015-09

TECHMALUX

AuLED 30/503010

built-in



// TECHNICAL DATA

ITEM NO.: 592-503-010

Operating voltage	24 V DC
Rated output	9 W
Ambient temp.	-5°C - max. 40°C
System of protection	IP67
Protection class	SK II
Weight	0,562 kg
Glass plate	ESG
Lamp housing	Aluminium, anodized
Type of lighting	Built-in lamp
Scope of application	Industrial sector



// LIGHT SOURCES

Number of LEDs	42
Current	375 mA
Lifetime	> 60.000 h
Colour rendering	Ra > 80
Energy efficiency class	A ++
Luminous flux	1330 lm
Light efficiency	147 lm / W
Light colour	5000 K

// BALLAST (external)

Output voltage	24 V DC
Output power	min. 14 W

// ELECTRICAL CONNECTION

Type of connection	Flange plug M12x1, 4-pole, A-coded
Pin assignment	Pin 1: + 24 V DC; Pin 3: GND

// FEATURES

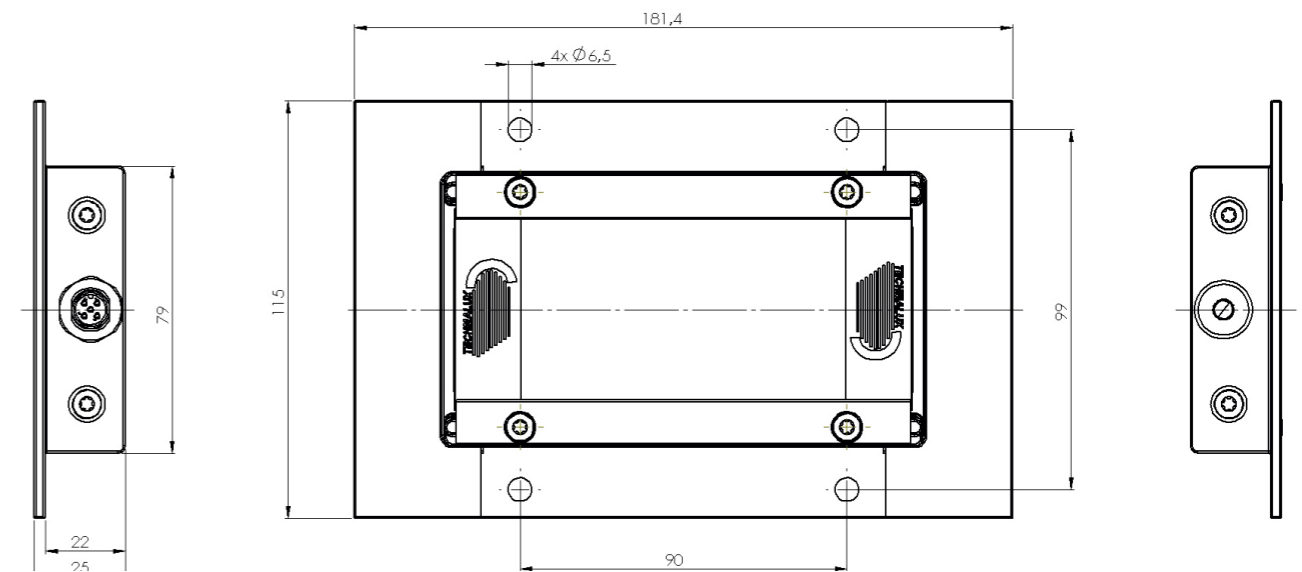
- IP 67 – protection against temporary submersion
- Space-saving installation due to slim design
- Low maintenance and service-friendly – all parts replaceable
- Resistant aluminium housing & ESG glass
- Flush with the installation surface



// SHORT OVERVIEW

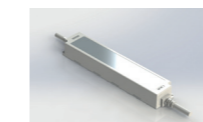
TYPE	ITEM NO.	VOLTAGE	POWER	LUMINOUS/LUMEN	COVERAGE	DIMENSIONS/MM	PLUG
AuLED 30	592-503-010	24 V DC	9 W	1330	ESG, clear	181x115x25	M12, lateral

// TECHNICAL DRAWING



// ACCESSORIES (optional)

Power supply SELV (IP67)



ITEM NO. 213-820-219
Input: 110-240 V | 50-60 Hz
Output: 24 V DC | max. 25 W

Cable box

4-pole | M12x1 | A-coded

Cable passage Ø 4-5mm

Cable passage Ø 8-10mm

ITEM NO. 213-080-058

ITEM NO. 213-080-056

// STANDARDS

EN 55015:2016-04
EN 60598-1:2015-10
EN 62031:2015-09
UL 2108

TECHMALUX

AuLED 40/504001



// TECHNICAL DATA

ITEM NO.: 592-504-001

Operating voltage	24 V DC
Rated output	18 W
Ambient temp.	-5°C - max. 40°C
System of protection	IP67
Protection class	SK II
Weight	1,19 kg
Glass plate	ESG
Lamp housing	Aluminium, anodized
Type of lighting	Surface lamp
Scope of application	Industrial sector



// LIGHT SOURCES

Number of LEDs	84
Current	0,75 A
Lifetime	> 60.000 h
Colour rendering	Ra > 80
Energy efficiency class	A ++
Luminous flux	2660 lm
Light efficiency	147 lm / W
Light colour	5000 K

// BALLAST (external)

Output voltage	24 V DC
Output power	min. 22 W

// ELECTRICAL CONNECTION

Type of connection	Flange plug M8x1, 3-pole
Pin assignment	Pin 1: + 24 V DC; Pin 3: GND



// FEATURES

- Robust aluminium housing – good heat dissipation
- 270x70x15 – particularly slim design
- Resistant against the most common coolants & lubricants
- M8 plug connector
- Connection cable included



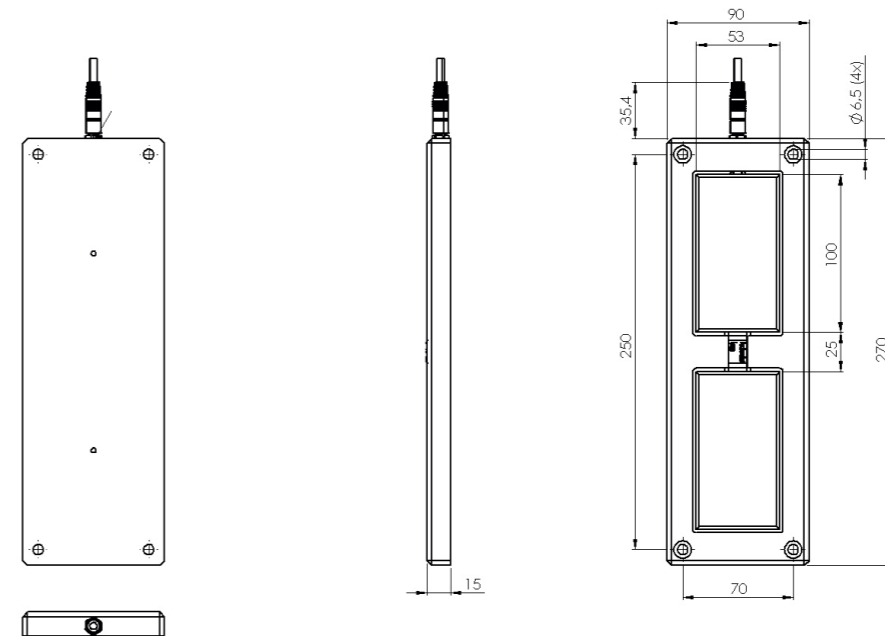
// SHORT OVERVIEW

TYPE	ITEM NO.	VOLTAGE	POWER	LUMINOUS/ LUMEN	COVERAGE	DIMENSIONS/ MM	PLUG
AuLED 40	592-504-001	24 V DC	18 W	2660	ESG, clear	270x70x15	M8, lateral

// VARIATIONS

TYPE	ITEM NO.	VOLTAGE	POWER	LUMINOUS/ LUMEN	COVERAGE	DIMENSIONS/ MM	PLUG
AuLED 40	592-504-002	24 V DC	18 W	2660	ESG, clear	270x70x15	M8, back-mounted

// TECHNICAL DRAWING



// ACCESSORIES (optional)

Power supply SELV (IP67)

	ITEM NO. 213-820-219
	Input: 110-240 V 50-60 Hz
	Output: 24 V DC max. 25 W

Connection cable M8

	ITEM NO. 214-100-001
	System of protection IP 67 Length = 2 m

// STANDARDS

- EN 55015:2016-04
- EN 60598-1:2015-10
- EN 62031:2015-09
- UL 2108

TECHMALUX

AuLED 40/504003

red/white



// TECHNICAL DATA

ITEM NO.: 592-504-003

Operating voltage	24 V DC
Rated output (w/r)	9 W 7,7 W
Ambient temp.	-5°C - max. 40°C
System of protection	IP67
Protection class	SK II
Weight	1,25 kg
Glass plate	ESG
Lamp housing	Aluminium, anodized
Type of lighting	Surface lamp
Scope of application	Industrial sector



// LIGHT SOURCES

Number of LEDs (w/r)	42 24
Current (w/r)	375 mA 320 mA
Colour rendering	(w) Ra > 80
Dominant wavelength	r: 625 nm
Luminous flux (w/r)	1330 lm 238 lm
Light colour (w)	5000 K

// BALLAST (external)

Output voltage	24 V DC
Output power	min. 20 W

// ELECTRICAL CONNECTION

Type of connection	Flange plug M8x1, 3-pole
Pin assignment	Pin 1: + 24 V DC; Pin 3: GND ws Pin 4: GND rt



// FEATURES

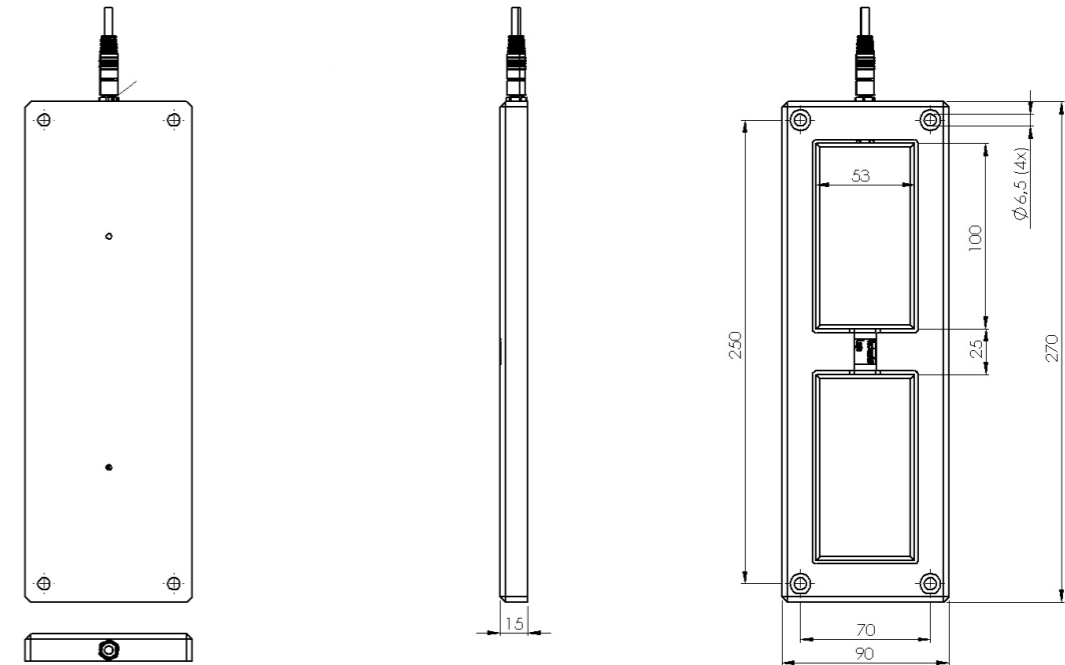
- Bi-colour „Red/White“ – to indicate process states
- Connection cable included
- Fits in well with the surroundings due to low installation height
- Excellent light output
- Popular M8 plug connector



// SHORT OVERVIEW

TYPE	ITEM NO.	VOLTAGE	POWER	LUMINOUS/LUMEN	COVERAGE	DIMENSIONS/MM	PLUG
AuLED 40	592-504-003	24 V DC	9 W 7,7 W	1330 238	ESG, clear	250x90x15	M8, lateral

// TECHNICAL DRAWING



// ACCESSORIES (optional)

Power supply SELV (IP67)

ITEM NO. 213-820-219
Input: 110-240 V 50-60 Hz
Output: 24 V DC max. 25 W

Connection cable M8

ITEM NO. 214-100-001
System of protection IP 67 Length = 2 m

// STANDARDS

- EN 55015:2016-04
- EN 60598-1:2015-10
- EN 62031:2015-09
- UL 2108

TECHMALUX

AuLED 50/505001



// TECHNICAL DATA

ITEM NO.: 592-505-001

Operating voltage	24 V DC
Rated output	7,2 W
Ambient temp.	-5°C - max. 40°C
System of protection	IP67
Protection class	SK II
Weight	0,22 kg
Glass plate	ESG
Lamp housing	Aluminium, anodized
Type of lighting	Surface lamp
Scope of application	Industrial sector



// LIGHT SOURCES

Number of LEDs	28
Current	300 mA
Lifetime	> 60.000 h
Colour rendering	Ra > 80
Energy efficiency class	A ++
Luminous flux	1050 lm
Light efficiency	145 lm / W
Light colour	5000 K

// BALLAST (external)

Output voltage	24 V DC
Output power	min. 12 W

// ELECTRICAL CONNECTION

Type of connection	Flange plug M8x1, 3-pole
Pin assignment	Pin 1: + 24 V DC; Pin 3: GND



// FEATURES

- Robust aluminium housing with ESG glass
- Narrow, reliable and highly luminous
- High luminous flux – good light output
- Energy efficiency class A++
- M8 plug connector



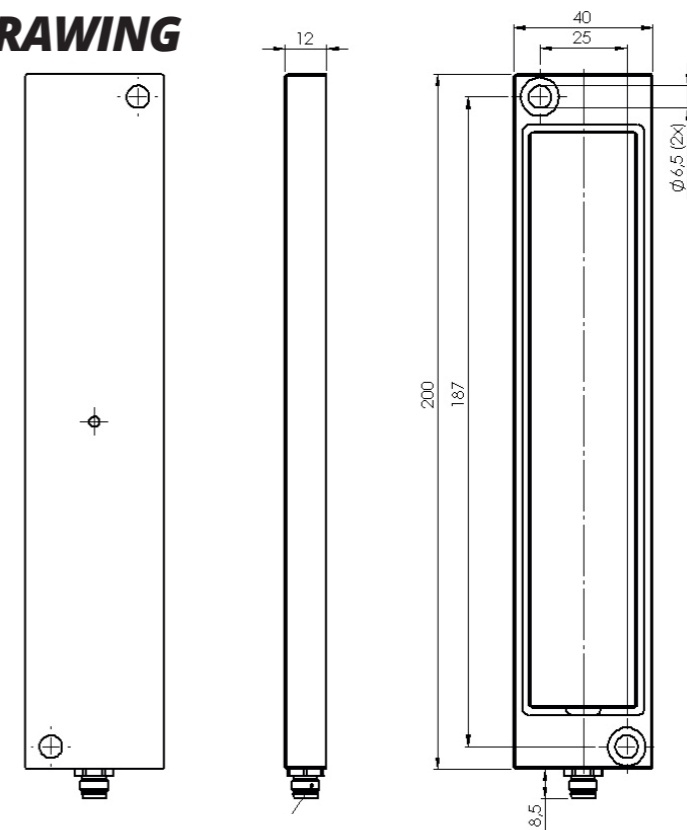
// SHORT OVERVIEW

TYPE	ITEM NO.	VOLTAGE	POWER	LUMINOUS/ LUMEN	COVERAGE	DIMENSIONS/ MM	PLUG
AuLED 50	592-505-001	24 V DC	7,2 W	1050	ESG, clear	200x40x12	M8, lateral

// VARIATIONS

TYPE	ITEM NO.	VOLTAGE	POWER	LUMINOUS/ LUMEN	COVERAGE	DIMENSIONS/ MM	PLUG
AuLED 50	592-505-002	24 V DC	7,2 W	1050	ESG, clear	200x40x12	M8, back-mounted

// TECHNICAL DRAWING



// ACCESSORIES (optional)

Power supply SELV (IP67)

	ITEM NO. 213-820-219
	Input: 110-240 V 50-60 Hz
	Output: 24 V DC max. 25 W

Connection cable M8

	ITEM NO. 214-100-001
	System of protection IP 67 Length = 2 m

// STANDARDS

- EN 55015:2016-04
- EN 60598-1:2015-10
- EN 62031:2015-09
- UL 2108

TECHMALUX

AuLED 50/505003

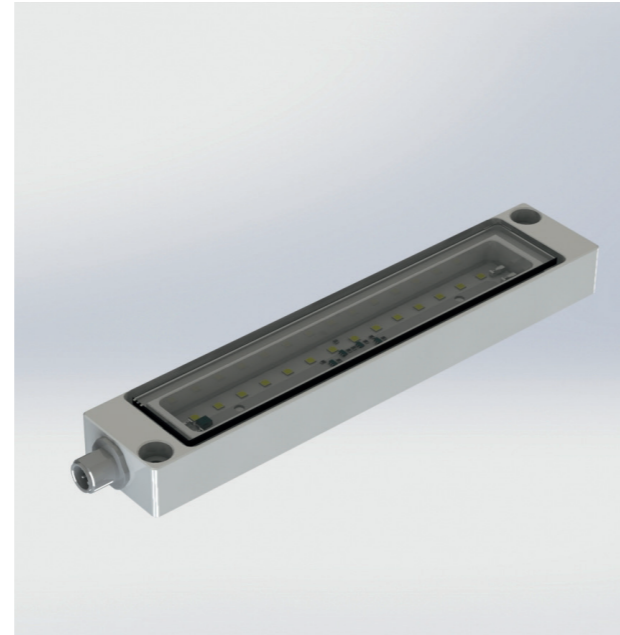
stainless steel



// TECHNICAL DATA

ITEM NO.: 592-505-003

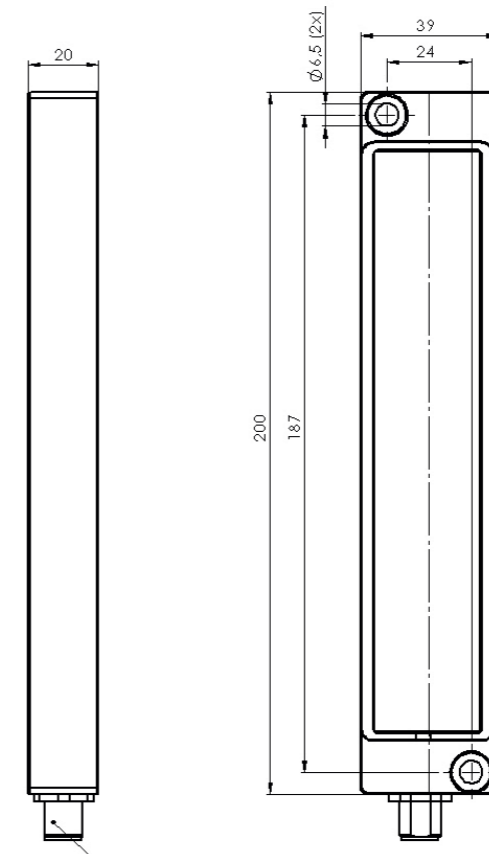
Operating voltage	24 V DC
Rated output	7,2 W
Ambient temp.	-5°C - max. 40°C
System of protection	IP67
Protection class	SK II
Weight	0,92 kg
Glass plate	ESG
Lamp housing	Stainless steel
Type of lighting	Surface lamp
Scope of application	Industrial sector



// SHORT OVERVIEW

TYPE	ITEM NO.	VOLTAGE	POWER	LUMINOUS/LUMEN	COVERAGE	DIMENSIONS/MM	PLUG
AuLED 50	592-505-003	24 V DC	7,2 W	1050	ESG, clear	135x60x20	M8, lateral

// TECHNICAL DRAWING



// LIGHT SOURCES

Number of LEDs	28
Current	0,3 A
Lifetime	> 50.000 h
Colour rendering	Ra > 80
Luminous flux	1050 lm
Light efficiency	145 lm / W
Light colour	5000 K

// BALLAST (external)

Output voltage	24 V DC
Output power	min. 12 W

// ELECTRICAL CONNECTION

Type of connection	Flange plug M12x1, 4-pole
Pin assignment	Pin 1: + 24 V DC; Pin 3: GND

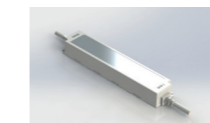
// FEATURES

- High-quality stainless steel housing
- Particularly suitable for use in the food sector
- Low maintenance and service-friendly
- Also suitable for use in harsh environments
- M8 plug connector



// ACCESSORIES (optional)

Power supply SELV (IP67)



ITEM NO. 213-820-219
 Input: 110-240 V | 50-60 Hz
 Output: 24 V DC | max. 25 W

Cable box

4-pole M12x1 A-coded	
Cable passage Ø 4-5mm	ITEM NO. 213-080-058
Cable passage Ø 8-10mm	ITEM NO. 213-080-056

// STANDARDS

EN 55015:2016-04
 EN 60598-1:2015-10
 EN 62031:2015-09
 UL 2108

TECHMALUX

// 02 CANDOLUX LEDAX PRODUCT SERIES

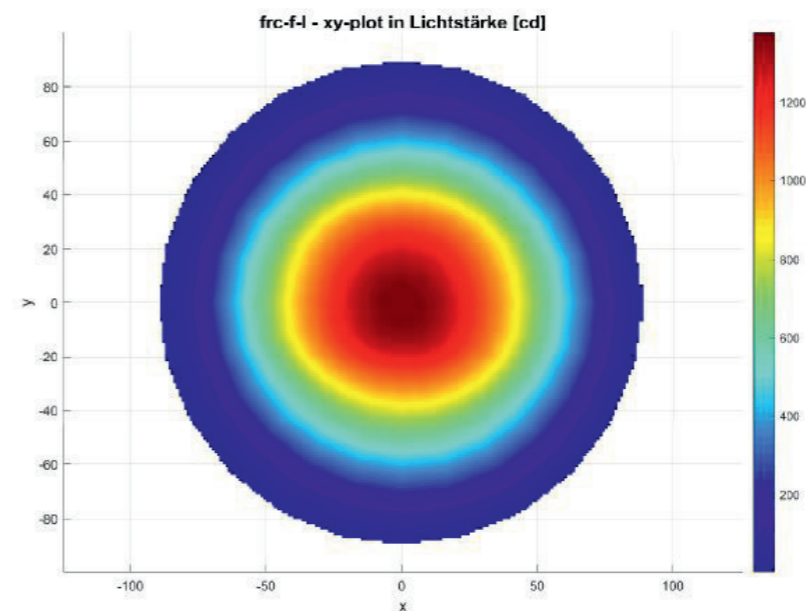
BUILT-IN LIGHTING POWER

Candolux

Our Candolux recessed lamps can almost be counted among our „classics“. For many years these powerful „power boxes“ have been integrated in the walls of machines and blend in harmoniously to the viewer's eye due to the almost flush-mount installation.

The extremely robust aluminium housing of the lamp is embedded in the machine casing. The front with its ESG safety glass and the highly luminous LED modules remains visible. Whatever will hit our Candolux lamps: chips, water, sparks, ... it will bounce off our Candolux lamps!

We will, of course, offer you within the Candolux product family the variety to which you have become accustomed to: 24 V DC or 230 V AC, clear or satin ESG glass pane, different dimensions, different performance levels, ...



Distribution of the luminous intensity based on
Candolux/034256 | Item no. 592-034-256

Candolux LEDAX 100/027106

// TECHNICAL DATA

ITEM NO.: 592-027-105

Operating voltage	230 V AC 50 Hz
Rated output	31 W
Ambient temp.	-5°C - max. 40°C
System of protection	IP67
Protection class	SK I
Weight	2,7 kg
Glass plate	ESG
Lamp housing	Aluminium, anodized
Type of lighting	built-in lamp
Scope of application	Industrial sector



// LIGHT SOURCES

Number of LEDs	63
Power factor	0,97
Lifetime	> 60.000 h
Colour rendering	Ra > 80
Energy efficiency class	A ++
Luminous flux	3380 lm
Light efficiency	153 lm / W
Light colour	5000 K

// BALLAST (internal)

Operating voltage	230 V AC
Power factor	0,95
Output voltage	24 V DC
Output power	max. 40 W

// ELECTRICAL CONNECTION

Type of connection	HAN3A; 4-pole
Pin assignment	Pin 1: L; Pin 2: N; PE
Internal electrical lines	Multinorm wires

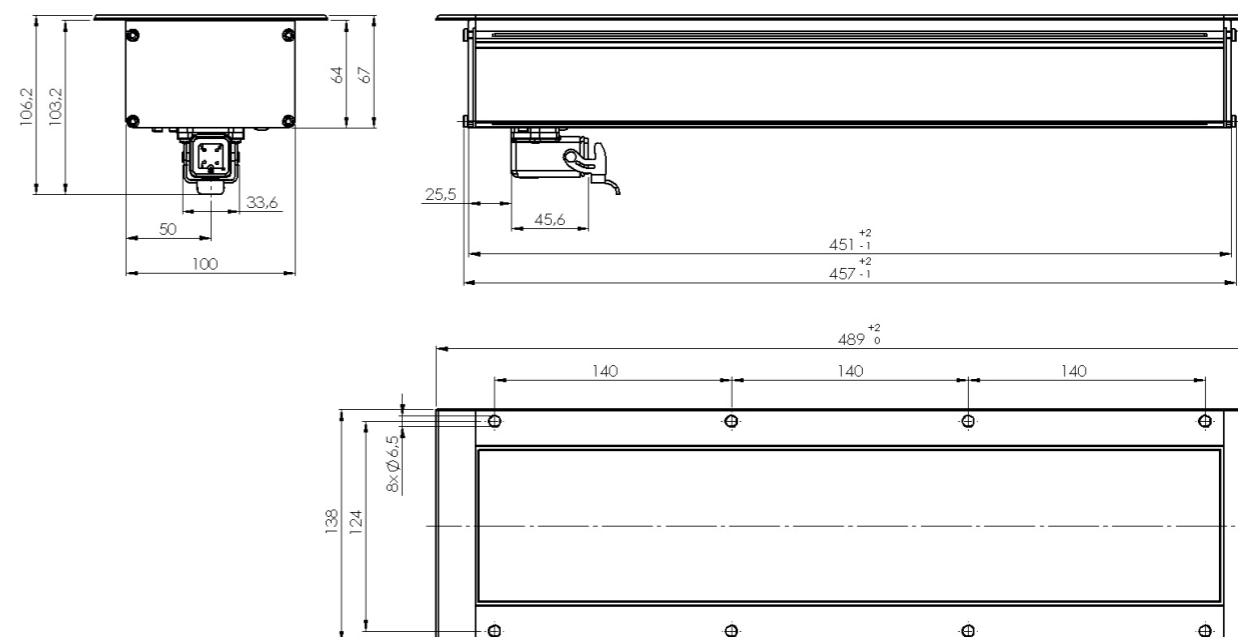
// FEATURES

- Robust housing & slim design
- Protection against temporary submersion
- Simply to connect via HAN 3A connector
- Excellent light output at low power consumption
- Resistant against the most common coolants & lubricants

// SHORT OVERVIEW

TYPE	ITEM NO.	VOLTAGE	POWER	LUMINOUS/LUMEN	COVERAGE	DIMENSIONS/MM	PLUG
Candolux LEDAX 100	592-027-105	230 V AC	31 W	3380	ESG, satined	489x138x67	HAN3A

// TECHNICAL DRAWING



// STANDARDS

EN 55015:2016-04
 EN 60598-1:2015-10
 EN 62031:2015-09
 EN 61000-4-4:2013-4
 EN 61000-3-2:2015-3
 EN 61000-4-5:2015-03
 EN 61000-4-2: 2009-12

TECHMALUX

Candolux/033105

RGBW
available



// TECHNICAL DATA

ITEM NO.: 592-033-105

Operating voltage	24 V DC
Rated output	22 W
Ambient temp.	-5°C - max. 40°C
System of protection	IP67
Protection class	SK I
Weight	2,85 kg
Glass plate	ESG
Lamp housing	Aluminium, anodized
Type of lighting	Built-in lamp
Scope of application	Industrial sector



// LIGHT SOURCES

Number of LEDs	63
Current	0,91 A
Lifetime	> 60.000 h
Colour rendering	Ra > 80
Energy efficiency class	A ++
Luminous flux	3380 lm
Light efficiency	153 lm / W
Light colour	5000 K

// BALLAST (external)

Output voltage	24 V DC
Output power	min. 27 W

// ELECTRICAL CONNECTION

Type of connection	HAN3A; 4-pole
Pin assignment	Pin 1: + 24 V DC; Pin 3: GND; PE

// FEATURES

- Robust aluminium housing, HAN 3A connector
- 24 V DC
- RGBW variant available!
- Excellent light output – high efficiency
- Anti-glare due to satin ESG glass



// SHORT OVERVIEW

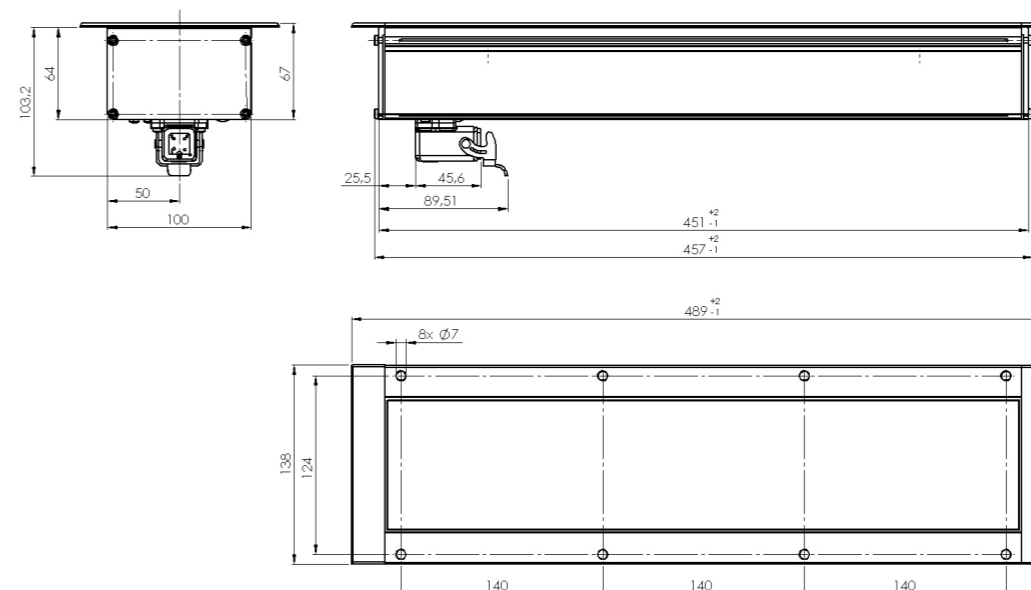
TYPE	ITEM NO.	VOLTAGE	POWER	LUMINOUS/ LUMEN	COVERAGE	DIMENSIONS/ MM	PLUG
Candolux	592-033-105	24 V DC	22 W	3380	ESG, satined	489x138x67	HAN3A

// VARIATIONS

TYPE	ITEM NO.	VOLTAGE	POWER	LUMINOUS/ LUMEN	COVERAGE	DIMENSIONS/ MM	PLUG
Candolux	592-033-110	24 V DC	22 W	3380	ESG, satined	489x138x67	M12, back-mounted
Candolux RGBW	592-027-108	24 V DC	42 W	4000 (W) 360 (RGB)	ESG, satined	489x138x67	M12, back-mounted

Other variations available! For further information, please contact us.

// TECHNICAL DRAWING



// STANDARDS

EN 55015:2016-04
EN 60598-1:2015-10
EN 62031:2015-09
UL 2108

// ACCESSORIES (optional)

Power supply SELV (IP66)

	ITEM NO. 213-820-212
	Input: 220-240 V 0-60 Hz
	Output: 24 V DC max. 40 W

Power supply SELV (IP66)

	Art.Nr. 213-820-214
	Eingang: 220-240 V 0-60 Hz
	Ausgang: 24 V DC max. 60 W

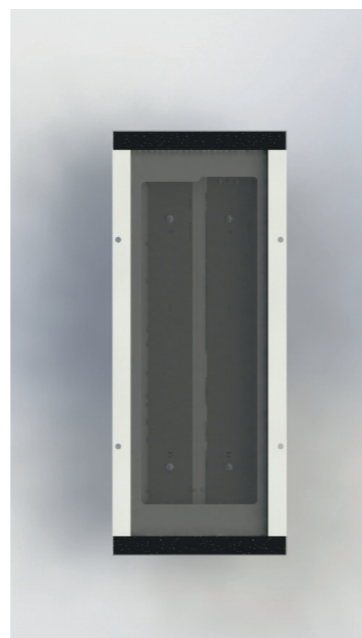
TECHMALUX

Candolux LEDAX 200

// TECHNICAL DATA

ITEM NO.: 592-034-104

Operating voltage	230 V AC 50 Hz
Rated output	51,8 W
Ambient temp.	-5°C - max. 40°C
System of protection	IP67
Protection class	SK I
Weight	4,3 kg
Glass plate	ESG
Lamp housing	Aluminium, anodized
Type of lighting	Built-in lamp
Scope of application	Industrial sector



// SHORT OVERVIEW

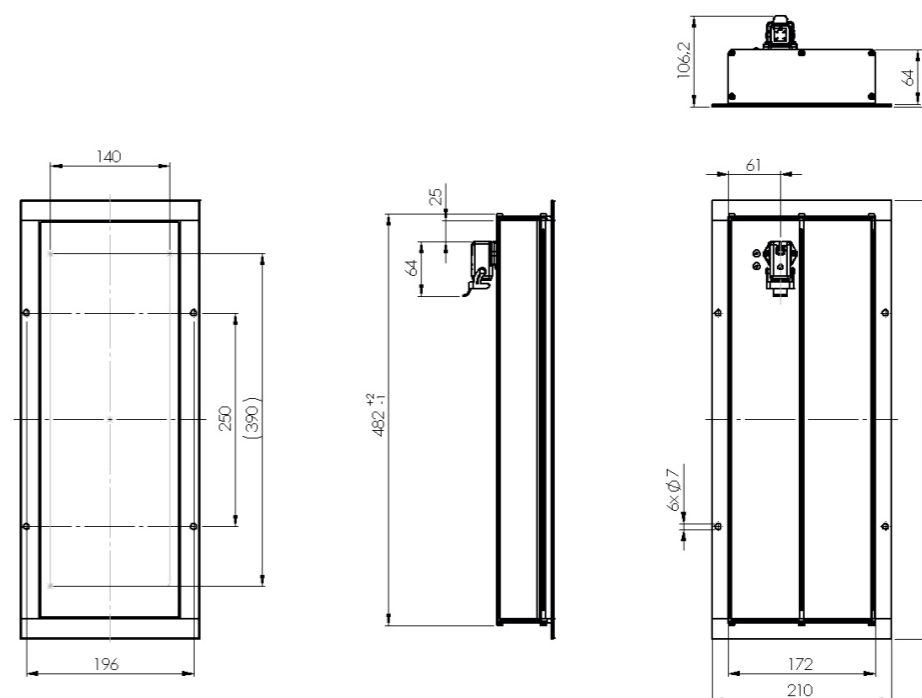
TYPE	ITEM NO.	VOLTAGE	POWER	LUMINOUS/LUMEN	COVERAGE	DIMENSIONS/ MM	PLUG
Candolux LEDAX 200	592-034-104	230 V AC	51,8 W	6732	ESG, clear glued	514x210x67	HAN3A

// VARIATIONS

TYPE	ITEM NO.	VOLTAGE	POWER	LUMINOUS/LUMEN	COVERAGE	DIMENSIONS/ MM	PLUG
Candolux LEDAX 200	592-034-107	230 V AC	51,8 W	6732	ESG, clear screwed	516x210x67	HAN3A
Candolux LEDAX 200	592-034-111	230 V AC	51,8 W	6732	ESG, satined	516x210x172	HAN3A, straight
Candolux LEDAX	592-034-114	230 V AC	51,8 W	6732	ESG, clear screwed	514x210x67	HAN3A

Other variations available! For further information, please contact us.

// TECHNICAL DRAWING



// LIGHT SOURCES

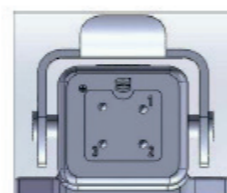
Number of LEDs	126
Lifetime	> 60.000 h
Colour rendering	Ra > 80
Luminous flux	6732 lm
Light efficiency	153 lm / W
Light colour	5000 K

// BALLAST (internal)

Operating Voltage	230 V AC
Power factor	0,96
Output voltage	24 V DC
Output power	max. 60 W

// ELECTRICAL CONNECTION

Type of connection	HAN3A
Pin assignment	Pin 1: L; Pin 2: N; PE
Internal connection	Wago-clamp
Internal electrical lines	Multinorm wires



// FEATURES

- 230 V variant
- Compact & robust design
- Quick and easy to connect – HAN 3A connector
- Excellent light output – ESG glass pane, clear
- Good price-performance ratio

// STANDARDS

- EN 55015:2016-04
- EN 60598-1:2015-10
- EN 62031:2015-09
- EN 61000-4-4:2013-4
- EN 61000-3-2:2015-3
- EN 61000-4-5:2015-03
- EN 61000-3-3:2014-03

TECHMALUX

Candolux/035103



// TECHNICAL DATA

ITEM NO.: 592-035-103

Operating voltage	24 V DC
Rated output	44 W
Ambient temp.	-5°C - max. 40°C
System of protection	IP67
Protection class	SK I
Weight	4,0 kg
Glass plate	ESG
Lamp housing	Aluminium, anodized
Type of lighting	Built-in lamp
Scope of application	Industrial sector



// SHORT OVERVIEW

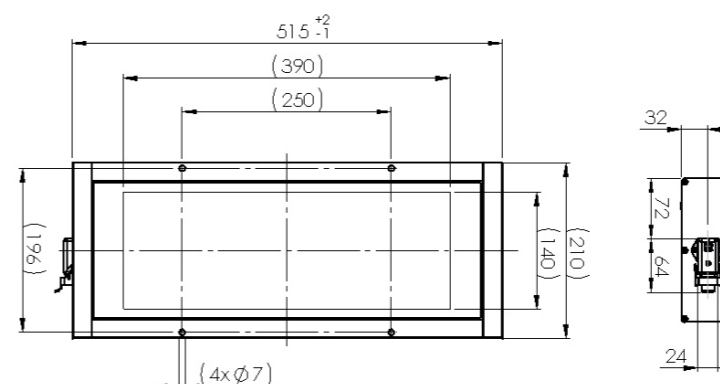
TYPE	ITEM NO.	VOLTAGE	POWER	LUMINOUS/LUMEN	COVERAGE	DIMENSIONS/ MM	PLUG
Candolux	592-035-103	24 V DC	44 W	6732	ESG, satined	515x210x66	HAN3A

// VARIATIONS

TYPE	ITEM NO.	VOLTAGE	POWER	LUMINOUS/LUMEN	COVERAGE	DIMENSIONS/ MM	PLUG
Candolux	592-035-106	24 V DC	44 W	6732	ESG, satined	514x210x67	M12, lateral

Other variations available! For further information, please contact us.

// TECHNICAL DRAWING



// LIGHT SOURCES

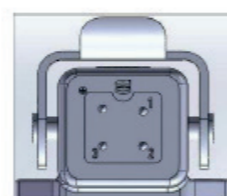
Number of LEDs	126
Current	1,83 A
Lifetime	> 60.000 h
Colour rendering	Ra > 80
Energy efficiency class	A ++
Luminous flux	6732 lm
Light efficiency	153 lm / W
Light colour	5000 K

// BALLAST (external)

Output voltage	24 V DC
Output power	min. 50 W

// ELECTRICAL CONNECTION

Type of connection	HAN3A
Pin assignment	Pin 1: + 24 V DC; Pin 3: GND; PE



// FEATURES

- High luminous flux & good light output
- Convenient handling – slim design & plug connector
- Very robust lamp housing – reliably resistant
- Anti-glare due to satin ESG glass
- Low installation depth – good integration in the machine wall



// ACCESSORIES (optional)

Power supply SELV (IP66)

	ITEM NO. 213-820-214
	Input: 220-240 V 0-60 Hz
	Output: 24 V DC max. 60 W

// STANDARDS

- EN 55015:2016-04
- EN 60598-1:2015-10
- EN 62031:2015-09
- UL 2108

TECHMALUX

// 03 CARLIFT PRODUCT SERIES

SLIM DESIGN - GREAT EFFECT!

CarLift

Our CarLift lamps are a real space-saving miracle!
Flat, narrow, light and simply easy to handle.
A further advantage is the type of fastening - there are three different ways:
via the end caps, a screw channel at its rear or optional accessories -
you can choose which version fits you best!

The unique feature of this product series is the cover which is flattened
by 15°. This slightly flattened cover allows illumination of your workplace or
machine almost without glare - without losing light power, e.g. due to
a satin cover.

Our CarLift lamps are available in various versions and lengths.
As you can see, not only the large variety of models available, but particularly
the flexibility of this lamp makes this product series a small „all-rounder“.

If large or narrow spaces have to be illuminated, in the classical
mechanical engineering sector, in railway construction,
lifting platforms, ...Our CarLift lamps ensure perfect illumination
almost everywhere.



CarLift/153005



// TECHNICAL DATA

ITEM NO.: 591-153-005

Operating voltage	24 V DC
Rated output	15,2 W
Ambient temp.	-5°C - max. 50°C
System of protection	IP67
Protection class	SK II
Weight	0,47 kg
Coverage	Polycarbonat
Lamp housing	Aluminium, anodized
Type of lighting	Surface lamp
Scope of application	Industrial sector



// LIGHT SOURCES

Number of LEDs	54
Current	0,63 A
Lifetime	> 60.000 h
Colour rendering	Ra > 80
Energy efficiency class	A ++
Luminous flux	1900 lm
Light efficiency	125 lm / W
Light colour	5000 K

// BALLAST (external)

Output voltage	24 V DC
Output power	min. 19 W

// ELECTRICAL CONNECTION

Type of connection	Flange plug M8x1, 3-pole
Pin assignment	Pin 1: + 24 V DC; Pin 3: GND

Male insert (mating side)



// FEATURES

- Connection to machine voltage 24 V DC
- Connection cable included
- Different lengths additionally available
- Good glare protection via polycarbonate cover
- M8 connector

// SHORT OVERVIEW

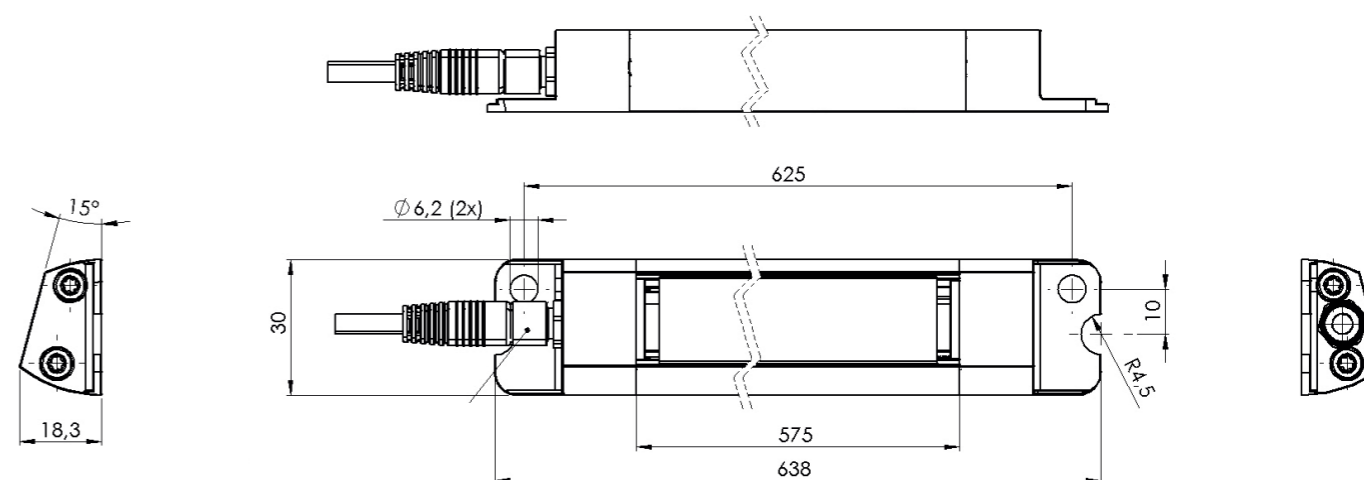
TYPE	ITEM NO.	VOLTAGE	POWER	LUMINOUS/LUMEN	COVERAGE	DIMENSIONS/ MM	PLUG
CarLift	591-153-005	24 V DC	15,2 W	1900	PC	638x30x18	M8, lateral

// VARIATIONS

TYPE	ITEM NO.	VOLTAGE	POWER	LUMINOUS/LUMEN	COVERAGE	DIMENSIONS/ MM	PLUG
CarLift	591-153-002	24 V DC	33,6 W	4200	PC	1537x30x18	M8, lateral
CarLift	591-153-003	24 V DC	8,4 W	1050	PC	413x30x18	M8, lateral
CarLift	591-153-030	24 V DC	67,2 W	8400	PC	2563x30x18	M8, lateral

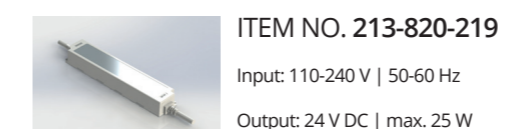
Other variations available! For further information, please contact us.

// TECHNICAL DRAWING



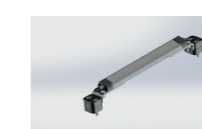
// FIXING / ACCESSORIES (optional)

Power supply SELV (IP67)



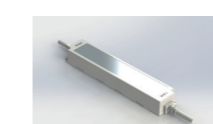
ITEM NO. 213-820-219
Input: 110-240 V | 50-60 Hz
Output: 24 V DC | max. 25 W

Mounting kit (rotatable)



ITEM NO. 599-001-021
Aluminium, VPE = 2 pcs.

Power supply SELV (IP64)



ITEM NO. 213-820-207
Input: 110-240 V | 50-60 Hz
Output: 24 V DC | max. 100 W

// STANDARDS

- EN 55015:2016-04
- EN 60598-1:2015-10
- EN 62031:2015-09
- UL 2108

TECHMALUX



// TECHNICAL DATA

ITEM NO.: 591-153-007

Operating voltage	24 V DC
Rated output	15,2 W
Ambient temp.	-5°C - max. 50°C
System of protection	IP67
Protection class	SK II
Weight	0,47 kg
Coverage	ESG
Lamp housing	Aluminium, anodized
Type of lighting	Surface lamp
Scope of application	Industrial sector



// LIGHT SOURCES

Number of LEDs	54
Current	0,63 A
Lifetime	> 60.000 h
Colour rendering	Ra > 80
Energy efficiency class	A ++
Luminous flux	1900 lm
Light efficiency	125 lm / W
Light colour	5000 K

// BALLAST (external)

Output voltage	24 V DC
Output power	min. 19 W

// ELECTRICAL CONNECTION

Type of connection	Flange plug M8x1, 3-pole
Pin assignment	Pin 1: + 24 V DC; Pin 3: GND

Male insert (mating side)



// FEATURES

- Robust housing with sophisticated slope
- Optional: rotatable mounting kit
- Excellent light output
- Many fields of application: rail construction, workshop, mechanical engineering, ...

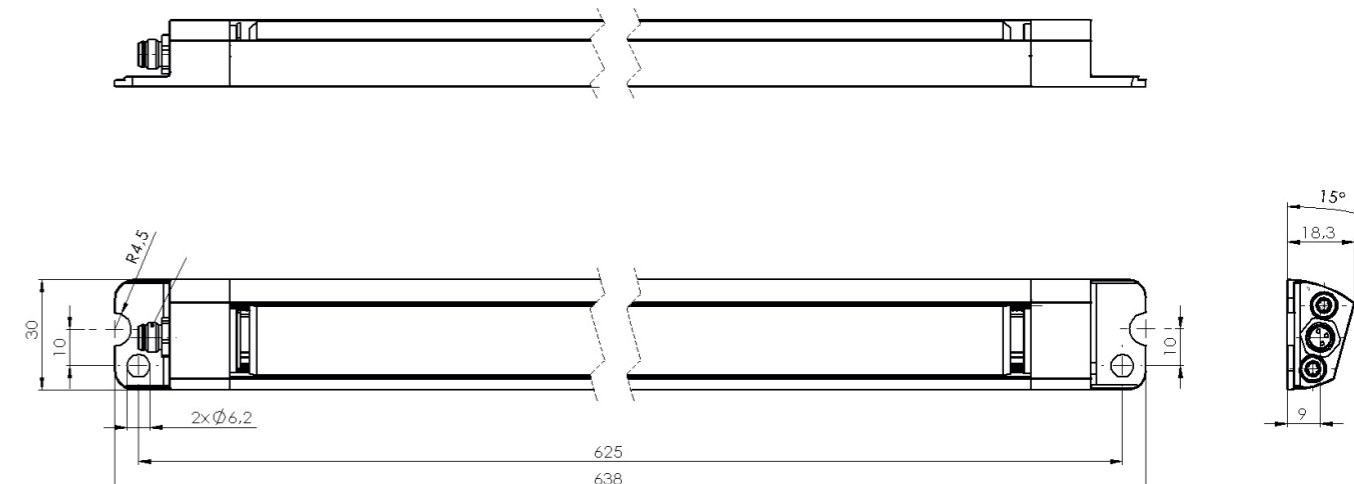
// SHORT OVERVIEW

TYPE	ITEM NO.	VOLTAGE	POWER	LUMINOUS/LUMEN	COVERAGE	DIMENSIONS/MM	PLUG
CarLift	591-153-007	24 V DC	15,2 W	1900	ESG, clear	638x30x18	M8, lateral

// VARIATIONS

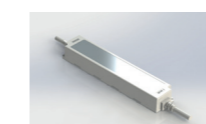
TYPE	ITEM NO.	VOLTAGE	POWER	LUMINOUS/LUMEN	COVERAGE	DIMENSIONS/MM	PLUG
CarLift	591-153-004	24 V DC	8,4 W	1050	ESG, clear	403x30x18	M8, lateral
CarLift	591-153-028	24 V DC	5,1 W	630	ESG, clear	276x30x18	M8, lateral

// TECHNICAL DRAWING

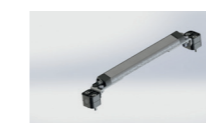


// FIXING / ACCESSORIES (optional)

Power supply SELV (IP67)

	ITEM NO. 213-820-219
	Input: 110-240 V 50-60 Hz
	Output: 24 V DC max. 25 W

Mounting kit (rotatable)

	ITEM NO. 599-001-021
	Aluminium, VPE = 2pcs.

// STANDARDS

- EN 55015:2016-04
- EN 60598-1:2015-10
- EN 62031:2015-09
- UL 2108



// TECHNICAL DATA

ITEM NO.: 591-153-036

Operating voltage	24 V DC
Rated output	15,2 W
Ambient temp.	-5°C - max. 50°C
System of protection	IP67 SK II
Weight	0,47 kg
Coverage	ESG
Potting compound	Polyurethan
Lamp housing	Aluminium, anodized
Type of lighting	Surface lamp
Scope of application	Industrial sector



// LIGHT SOURCES

Number of LEDs	54
Current	0,63 A
Lifetime	> 60.000 h
Colour rendering	Ra > 80
Energy efficiency class	A ++
Luminous flux	1900 lm
Light efficiency	125 lm / W
Light colour	5000 K

// BALLAST (external)

Output voltage	24 V DC
Output power	min. 19 W

// ELECTRICAL CONNECTION

Type of connection	Flange plug M8x1, 3-pole
Pin assignment	Pin 1: + 24 V DC; Pin 3: GND

Male insert (mating side)



// FEATURES

- Resistant overmolding variant – for use in particular harsh environments
- Common M8 connector ensures quick connection
- Various types of fastening: via the end caps, a screw channel at its rear or optional accessories

// SHORT OVERVIEW

TYPE	ITEM NO.	VOLTAGE	POWER	LUMINOUS/LUMEN	COVERAGE	DIMENSIONS/MM	PLUG
CarLift	591-153-036	24 V DC	15,2 W	1900	overmolding	638x30x18	M8, lateral

// VARIATIONS

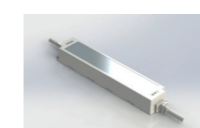
TYPE	ITEM NO.	VOLTAGE	POWER	LUMINOUS/LUMEN	COVERAGE	DIMENSIONS/MM	PLUG
CarLift	591-153-037	24 V DC	8,4 W	1050	overmolding	403x30x18	M8, lateral

// TECHNICAL DRAWING




// FIXING / ACCESSORIES (optional)

Power supply SELV (IP67)

	ITEM NO. 213-820-219
	Input: 110-240 V 50-60 Hz
	Output: 24 V DC max. 25 W

Mounting kit (rotatable)

	ITEM NO. 599-001-021
	Aluminium, VPE = 2pcs.

// STANDARDS

- EN 55015:2016-04
- EN 60598-1:2015-10
- EN 62031:2015-09
- UL 2108

// 04 SETROLINE PRODUCT SERIES

**3 INSTALLATION VARIANTS
COMBINED IN ONE LAMP**

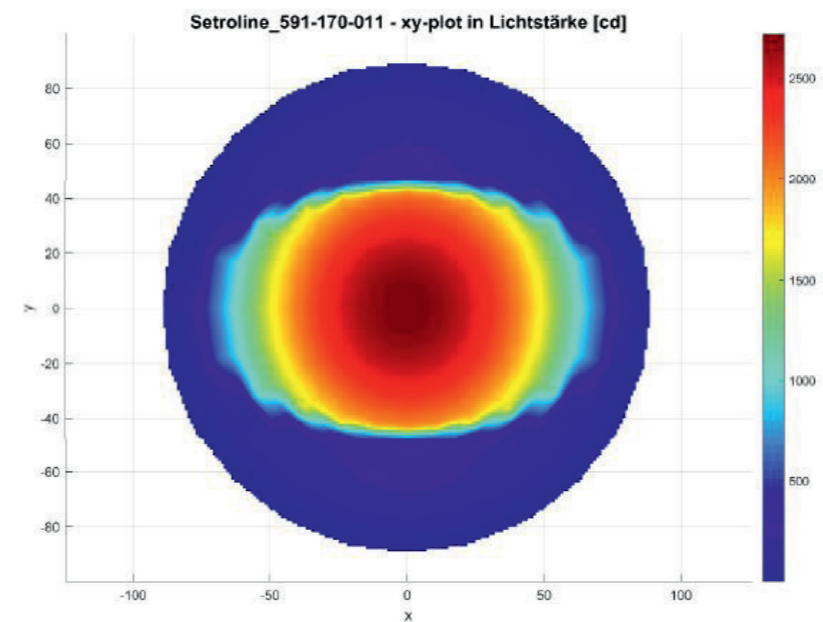
Setroline

The lamps within our large line of products are real masters of adaptation! No matter whether you are looking for a recessed, surface or tube lamp with a classical diameter of 70 mm – a TECHMALUX Setroline lamp will always be a good choice!

Due to a sophisticated aluminium housing, the lamp has the typical features of a tube lamp. However, it can also easily and quickly be mounted and used as a recessed or surface lamp via a specific fixing material. Which is quite useful!

The unique versatility of our Setroline is, however, not only reflected in the installation of the lamp: various volt versions, different lengths, with or without UL certification, dimmable or not, different light colours, ... there is a long list of available variants!

As you can see, our Setroline is a compact all-rounder!



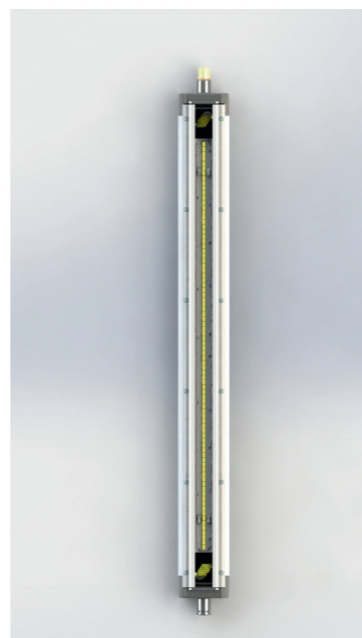
Distribution of the luminous intensity based on Setroline/170011 | Item no. 591-170-011

Setroline70/170001

// TECHNICAL DATA

ITEM NO.: 591-170-001

Operating voltage	230 V AC 50 Hz
Rated output	28,9 W
Ambient temp.	-5°C - max. 40°C
System of protection	IP67 IP 69K
Protection class	SK I
Weight	2,27 kg
Glass plate	ESG
Lamp housing	Aluminium, anodized
Type of lighting	Built-in/surface/tube
Scope of application	Industrial sector



// LIGHT SOURCES

Number of LEDs	84
Lifetime	50.000 h
Colour rendering	Ra > 80
Luminous flux	4000 lm
Light efficiency	170 lm / W
Light colour	4000 K

// BALLAST (internal)

Operating voltage	230 V AC
Power factor	0,96
Output voltage	27-51 V DC
Output power	max. 37 W

// ELECTRICAL CONNECTION

Type of connection	Flange plug M12x1 S-coded, 4-pole
Pin assignment	Pin 1: L; Pin 3: N; Pin 4: PE

// FEATURES

- Innovative design which allows for three installation variants: as recessed or surface lamp or via tube clamps as tube lamp substitute – brilliant!
- IP67/IP69K – for particularly rough conditions
- Single-pane safety glass

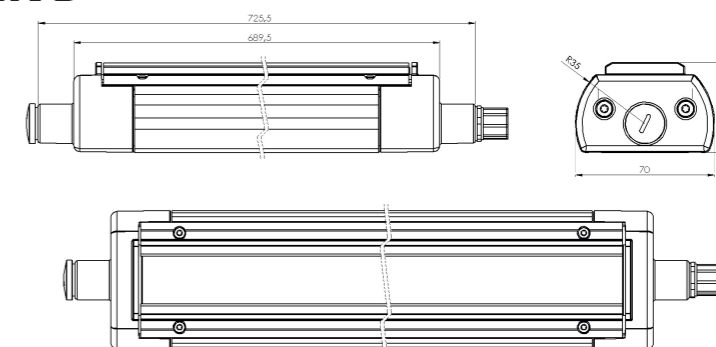
// SHORT OVERVIEW

TYPE	ITEM NO.	VOLTAGE	POWER	LUMINOUS/ LUMEN	COVERAGE	LENGTH/MM	CONNECTION
Setroline70	591-170-001	230 V AC	28,9 W	4000	ESG, clear	725	M12, lateral

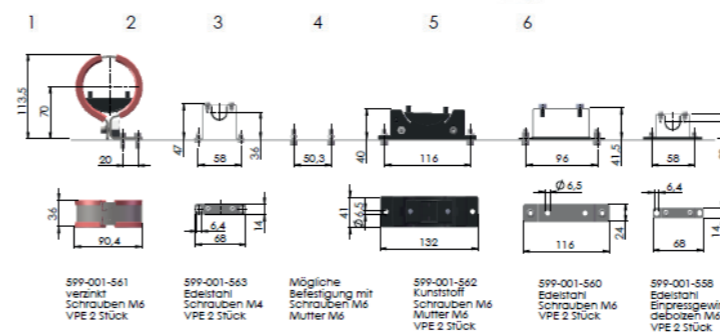
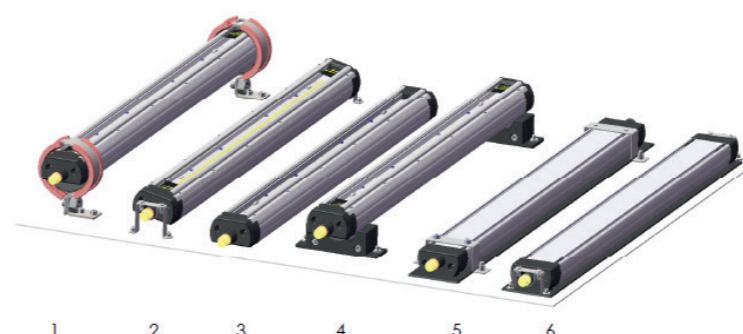
// VARIATIONS

TYPE	ITEM NO.	VOLTAGE	POWER	LUMINOUS/ LUMEN	COVERAGE	LENGTH/MM	CONNECTION
Setroline70	591-170-011	230 V AC	57,2 W	8000	ESG, clear	1285	M12, lateral
Setroline70	591-170-021	230 V AC	17,3 W	2000	ESG, clear	446	M12, lateral

// TECHNICAL DRAWING



// FIXING / ACCESSORIES (optional)



Cable box M12, S-coded
ITEM NO. 213-080-046

// STANDARDS

- EN 55015:2016-04
- EN 60598-1:2015-10
- EN 62031:2015-09
- EN 61000-4-4:2013-04
- EN 61000-3-2:2017-03
- EN 61000-4-5:2015-03
- EN 61000-3-3:2014-03
- EN 61000-4-2:2009-12

TECHMALUX

Setroline70/170031



// TECHNICAL DATA

ITEM NO.: 591-170-031

Operating voltage	24 V DC
Rated output	33,6 W
Ambient temp.	-5°C - max. 40°C
System of protection	IP67 IP69K
Protection class	SK II
Weight	2,6 kg
Glass plate	ESG
Lamp housing	Aluminium, anodized
Type of lighting	Built-in/surface/tube
Scope of application	Industrial sector



// LIGHT SOURCES

Number of LEDs	120
Current	1,4 A
Lifetime	> 60.000 h
Colour rendering	Ra > 80
Energy efficiency class	A ++
Luminous flux	4200 lm
Light efficiency	125 lm / W
Light colour	5000 K

// BALLAST (external)

Output voltage	24 V DC
Output power	min. 38 W

// ELECTRICAL CONNECTION

Type of connection	Flange plug M12x1 A-coded; 4-pole
Pin assignment	Pin1: +24 V DC; Pin 3: GND

// FEATURES

- Allrounder! Recessed, surface or tube lamp
- Various mounting options included as an accessory
- Quick and easy to connect via M12 connector
- Connection to machine voltage 24 V DC
- Very robust aluminium housing



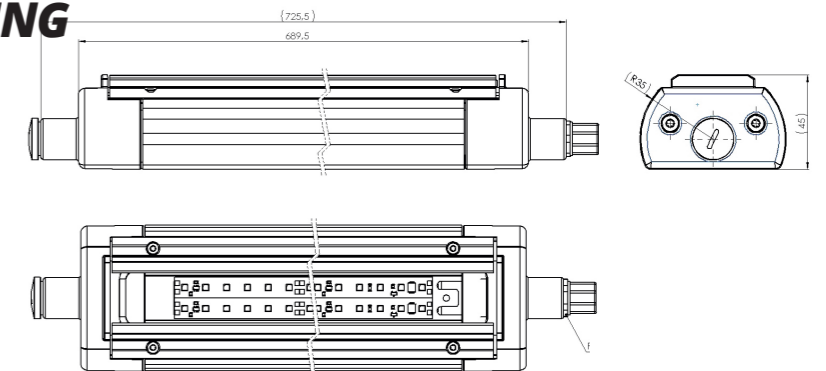
// SHORT OVERVIEW

TYPE	ITEM NO.	VOLTAGE	POWER	LUMINOUS/ LUMEN	COVERAGE	LENGTH/MM	CONNECTION
Setroline70	591-170-031	24 V DC	33,6 W	4200	ESG, clear	725	M12, lateral

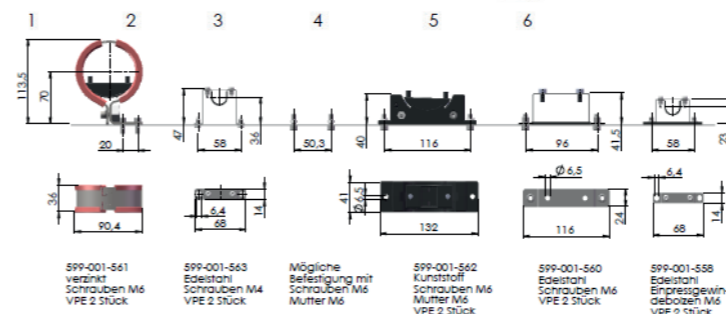
// VARIATIONS

TYPE	ITEM NO.	VOLTAGE	POWER	LUMINOUS/ LUMEN	COVERAGE	LENGTH/MM	CONNECTION
Setroline70	591-170-041	24 V DC	60,1 W	7560	ESG, clear	1285	M12, lateral
Setroline70	591-170-051	24 V DC	16,8 W	2100	ESG, clear	446	M12, lateral
Setroline70	591-170-061	24 V DC	43,7 W	5460	ESG, satined	938	M12, lateral

// TECHNICAL DRAWING



// FIXING / ACCESSORIES (optional)



Power supply SELV (IP66)

ITEM NO. 213-820-212
Input: 220-240 V 0-60 Hz
Output: 24 V DC max. 40 W

Cable box M12, A-coded

ITEM NO. 213-080-058

// STANDARDS

- EN 55015:2016-04
- EN 60598-1:2015-10
- EN 62031:2015-09
- UL 2108

TECHMALUX

Setroline/169001

RGBW
available

// TECHNICAL DATA

ITEM NO.: 591-169-001

Operating voltage	24 V DC
Rated output	16,8 W
Ambient temp.	-5°C - max. 40°C
System of protection	IP67 IP69K
Protection class	SK II
Weight	1,01 kg
Glass plate	ESG
Lamp housing	Aluminium, anodized
Type of lighting	Built-in/surface/tube
Scope of application	Industrial sector



// LIGHT SOURCES

Number of LEDs	60
Lifetime	> 60.000 h
Colour rendering	Ra > 80
Luminous flux	2100 lm
Light efficiency	125 lm / W
Light colour	5000 K

// BALLAST (external)

Output voltage	24 V DC
Output power	min. 20 W

// ELECTRICAL CONNECTION

Type of connection	Flange plug M12x1 A-coded; 4-pole
Pin assignment	Pin1: +; Pin 2: n.c.; Pin 3: -; Pin 4: n.c.



// FEATURES

- Robust aluminium housing – good heat dissipation
- Space-saving installation due to slim design – Ø 40 mm!
- RGBW variant available
- Excellent light output
- 2 securing nuts M6 at the rear – very convenient!

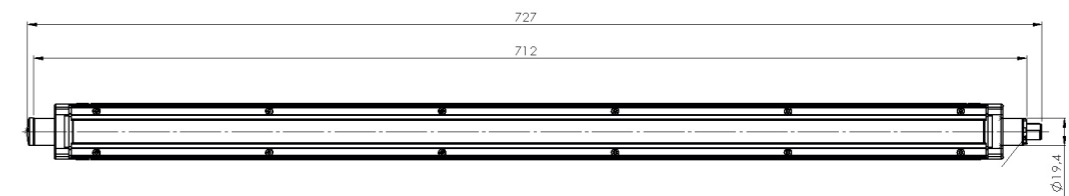
// SHORT OVERVIEW

TYPE	ITEM NO.	VOLTAGE	POWER	LUMINOUS/ LUMEN	COVERAGE	LENGTH/MM	CONNECTION
Setroline40	591-169-001	24 V DC	16,8 W	2100	ESG	712	M12, lateral

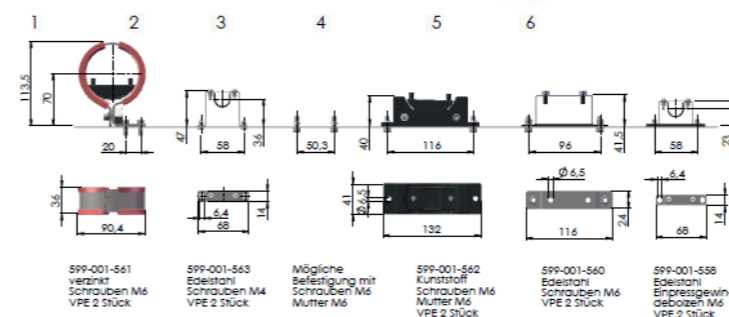
// VARIATIONS

TYPE	ITEM NO.	VOLTAGE	POWER	LUMINOUS/ LUMEN	COVERAGE	LENGTH/MM	CONNECTION
Setroline40 RGBW	591-169-003	24 V DC	10 W	540 RGBW	ESG, clear	712	M12, lateral

// TECHNICAL DRAWING



// FIXING / ACCESSORIES (optional)



Power supply SELV (IP67)

ITEM NO. 213-820-219
Input: 110-240 V 50-60 Hz
Output: 24 V DC max. 25 W

Cable box M12, A-coded

ITEM NO. 213-080-058

// STANDARDS

EN 55015:2016-04
EN 60598-1:2015-10
EN 62031:2015-09

TECHMALUX

Setroline/170012 dimmable

// TECHNICAL DATA

ITEM NO.: 591-170-012

Operating voltage	230 V AC 50 Hz
Rated output	60,5 W
Ambient temp.	-5°C - max. 40°C
System of protection	IP67 IP69K
Protection class	SK I
Weight	4,66 kg
Glass plate	ESG
Lamp housing	Aluminium, anodized
Type of lighting	Built-in/surface/tube
Scope of application	Industrial sector



// LIGHT SOURCES

Number of LEDs	168
Lifetime	50.000 h
Colour rendering	Ra > 80
Luminous flux	4469 lm
Light efficiency	190 lm / W
Light colour	4000 K

// BALLAST (intern)

Operating voltage	230 V AC
Power factor	> 0,95
Rated output current	600-1400 mA
Rated output power	54 W

// ELECTRICAL CONNECTION

Connection	Cable gland with connection cable PUR 5G1,5
Pin assignment	Pin1: L; Pin 2: N; Pin3: DALI; Pin 4: DALI; Pin 5: PE

// FEATURES

- Dimmable variant – intelligent control to 1%
- Single-pane safety glass
- High luminous flux – good light output
- Compact and robust – that is how a machine lamp should be
- IP67/IP69K

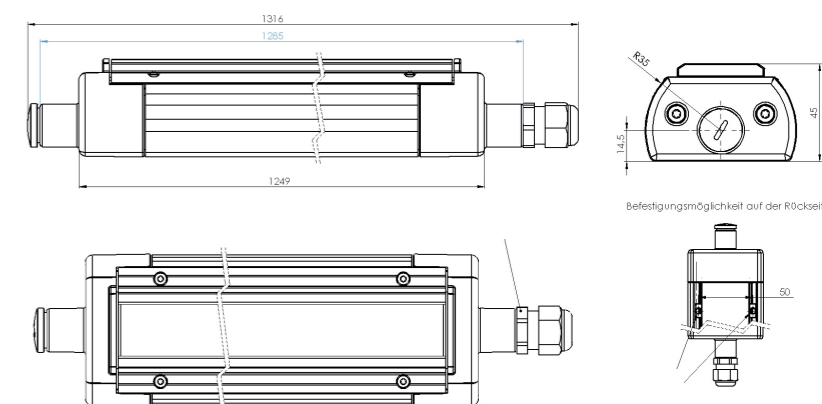
// SHORT OVERVIEW

TYPE	ITEM NO.	VOLTAGE	POWER	LUMINOUS/LUMEN	COVERAGE	LENGTH/MM	CONNECTION
Setroline	591-170-012	230 V AC	60,5 W	4469	ESG, clear	1249	5 m cable

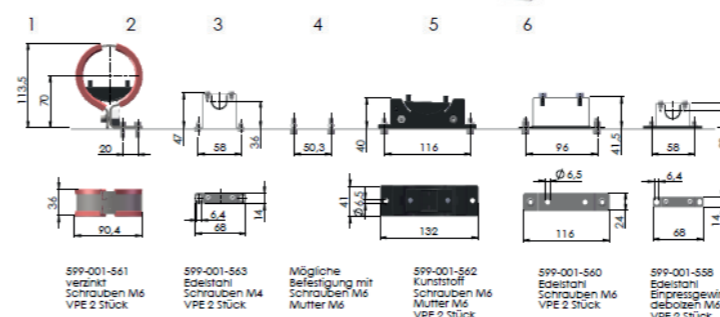
// VARIATIONS

TYPE	ITEM NO.	VOLTAGE	POWER	LUMINOUS/LUMEN	COVERAGE	LENGTH/MM	CONNECTION
Setroline70	591-170-003	230 V AC	27,6 W	1750	ESG, satined	725	M12, lateral

// TECHNICAL DRAWING



// FIXING / ACCESSORIES (optional)



Cable box M12, S-coded
ITEM NO. 213-080-046

// STANDARDS

- EN 55015:2016-04
- EN 60598-1:2015-10
- EN 62031:2015-09
- EN 61000-4-4:2013-04
- EN 61000-3-2:2017-03
- EN 6100-4-5:2015-03
- EN 61000-3-3:2014-03

**// 05 ROLED
PRODUCT SERIES**
THE CLASSIC AMONG THE CLASSICS

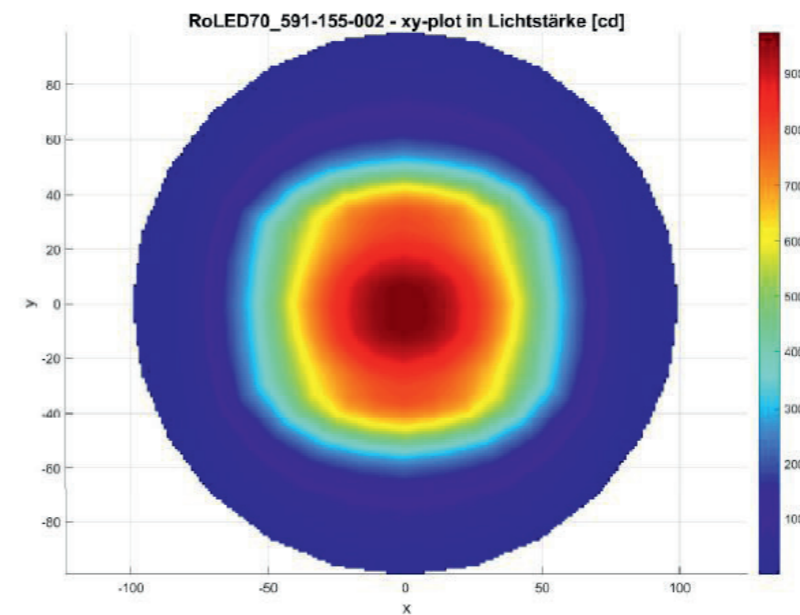
RoLED

70 mm diameter tube lamps: THE classic among machine lamps! For decades the round lamp body has proven its worth and still provides proper illumination of countless machines and equipment.

Our RoLED series combines the proven and popular features of this classic with state-of-the-art LED technology inside – high-quality LEDs ensure a perfect light output!

The shape, length and connection type of many of our RoLED lamps are identical to the classical tube lamps with conventional luminaires – making the switch to modern LED technology quick and easy.

Within our RoLED product family there are many variants available: 24 volt, 230 volt, various lengths and performances, different connection types, plastic end caps or even RoLED lamps with end caps made of stainless steel – there should be something for every user!



Distribution of the luminous intensity based on RoLED70/5002 | Item no. 591-155-002

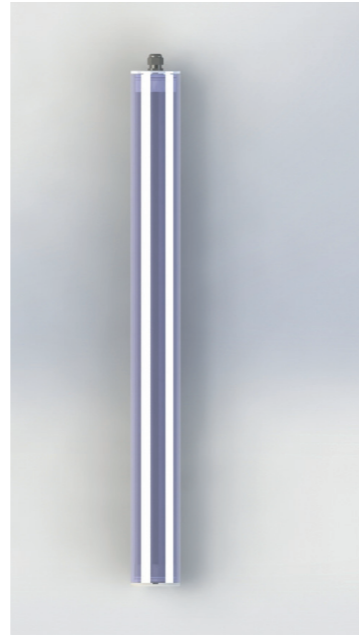
RoLED70/5002



// TECHNICAL DATA

ITEM NO.: 591-155-002

Operating voltage	24 V DC
Rated output	33,6 W
Ambient temp.	-5°C - max. 50°C
System of protection	IP67
Protection class	SK II
Weight	2,96 kg
Protective tube	Borosilicate
Lamp housing	Aluminium, anodized
Type of lighting	Tubular lamp
Scope of application	Industrial sector



// LIGHT SOURCES

Number of LEDs	120
Current	1,4 A
Lifetime	> 60.000 h
Colour rendering	Ra > 80
Energy efficiency class	A ++
Luminous flux	4200 lm
Light efficiency	125 lm / W
Light colour	5000 K

// BALLAST (external)

Output voltage	24 V DC
Output power	min. 38 W

// ELECTRICAL CONNECTION

Cable gland	M16 x 1,5 PA
Internal connection	Luster terminal

// FEATURES

- Internal aluminium body
- Resistant against the common coolants & lubricants
- LED alternative to conventional tube lamps with fluorescent tubes – simple retrofitting!
- Connection to machine voltage 24 V DC



// SHORT OVERVIEW

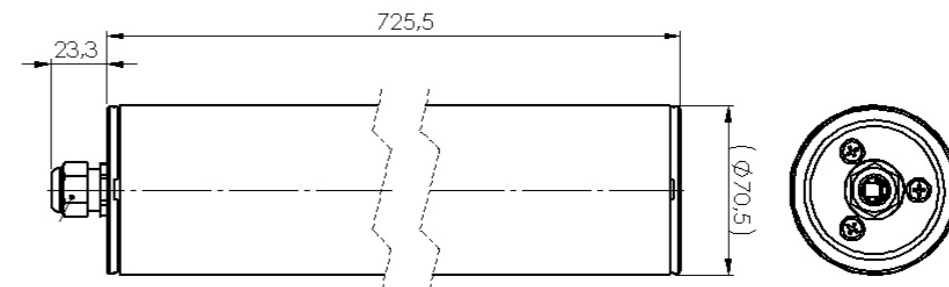
TYPE	ITEM NO.	VOLTAGE	POWER	LUMINOUS/LUMEN	PROTECTIVE TUBE	LENGTH/MM	CONNECTION
RoLED70	591-155-002	24 V DC	33,6 W	4200	Borosilicate	725	cable gland

// VARIATIONS

TYPE	ITEM NO.	VOLTAGE	POWER	LUMINOUS/LUMEN	PROTECTIVE TUBE	LENGTH/MM	CONNECTION
RoLED70	591-155-006	24 V DC	16,8 W	2100	Borosilicate	535	cable gland
RoLED70	591-155-017	24 V DC	33,6 W	4200	Borosilicate	725	M12, lateral
RoLED70	591-155-022	24 V DC	50,4 W	6300	Borosilicate	1000	7/8"-connector
RoLED70	591-155-023	24 V DC	33,6 W	4200	PMMA	725	wired

Other variations available! For further information, please contact us.

// TECHNICAL DRAWING



// FIXING / ACCESSORIES (optional)

Power supply SELV (IP66)

	ITEM NO. 213-820-212
	Input: 220-240 V 0-60 Hz
	Output: 24 V DC max. 40 W

Power supply SELV (IP64)

	ITEM NO. 213-820-207
	Input: 110-240 V 50-60 Hz
	Output: 24 V DC max. 100 W

Fixing clamps

	ITEM NO. 599-001-001 fixing clamp Ø70 mm, galvanised, gerade
	ITEM NO. 599-001-002 fixing clamp Ø70 mm, galvanised, angle plug, wall clearance 70 mm, mit distance bush
	ITEM NO. 599-001-003 fixing clamp Ø70 mm, galvanised, angle plug, wall clearance 100 mm

	ITEM NO. 599-001-004 fixing clamp Ø70 mm, galvanised, straight, with distance tube
	ITEM NO. 599-001-016 Tension clamp D70 mm VPE 1 pc.
	ITEM NO. 599-001-022 fixing clamp Ø70 mm, stainless steel A4, angle plug, wall clearance 70 mm

// STANDARDS

- EN 55015:2016-04
- EN 60598-1:2015-10
- EN 62031:2015-09
- UL 2108

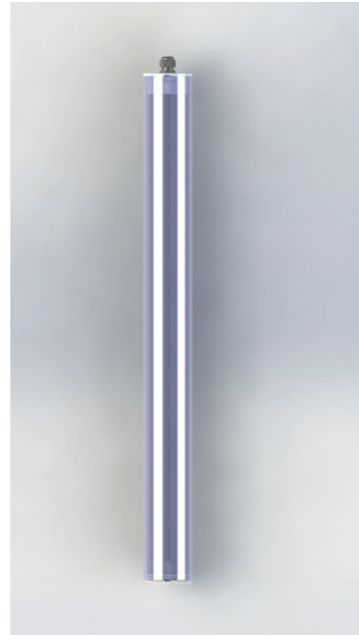
TECHMALUX

RoLED70/6001

// TECHNICAL DATA

ITEM NO.: 591-156-001

Operating voltage	230 V AC 50 Hz
Rated output	41,6 W
Ambient temp.	-5°C - max. 50°C
System of protection	IP67
Protection class	SK I
Weight	2,7 kg
Protective tube	PMMA
Lamp housing	Aluminium, anodized
Type of lighting	Tubular lamp
Scope of application	Industrial sector



// LIGHT SOURCES

Number of LEDs	120
Lifetime	> 60.000 h
Colour rendering	Ra > 80
Luminous flux	4200 lm
Light efficiency	125 lm / W
Light colour	5000 K

// BALLAST (internal)

Operating Voltage	230 V AC
Power factor	0,95
Output voltage	24 V DC
Output power	max. 60 W

// ELECTRICAL CONNECTION

Cable gland	M16 x 1,5 PA
Internal connection	luster terminal

// FEATURES

- Connection to 230 V AC
- Within optional fixing kit also rotatable
- Many different variants available
- Quick switch to LED possible – identical construction to conventional machine tube lamps – Ø 70

// SHORT OVERVIEW

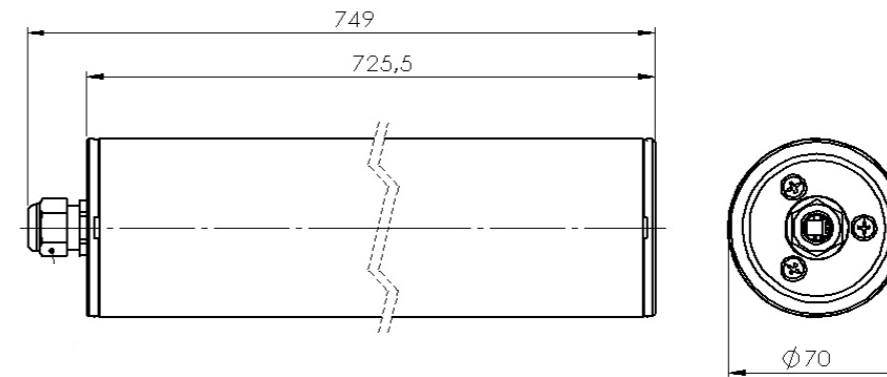
TYPE	ITEM NO.	VOLTAGE	POWER	LUMINOUS/ LUMEN	PROTECTIVE TUBE	LENGTH/MM	CONNECTION
RoLED 70	591-156-001	230 V AC	41,6 W	4200	PMMA	725	cable gland

// VARIATIONS

TYPE	ITEM NO.	VOLTAGE	POWER	LUMINOUS/ LUMEN	PROTECTIVE TUBE	LENGTH/MM	CONNECTION
RoLED 70	591-156-004	230 V AC	41,6 W	4200	Borosilicate	1030	pin insert R15
RoLED70	591-156-005	230 V AC	58,9 W	6300	Borosilicate	1360	cable gland
RoLED70	591-156-024	230 V AC	41,6 W	4200	PMMA	1077	cable gland
RoLED70	591-163-001	230 V AC	21,8 W	2100	PMMA	448	cable gland

Other variations available! For further information, please contact us.

// TECHNICAL DRAWING



// FIXING (optional)

Fixing clamps



ITEM NO. 599-001-001
fixing clamp Ø70 mm, galvanised, gerade



ITEM NO. 599-001-002
Fixing clamp Ø70 mm, galvanised, angle plug, wall clearance 70 mm, mit distance bush



ITEM NO. 599-001-003
Fixing clamp Ø70 mm, galvanised, angle plug, wall clearance 100 mm



ITEM NO. 599-001-004
Fixing clamp Ø70 mm, galvanised, straight, with distance tube



ITEM NO. 599-001-016
Tension clamp D70 mm VPE 1 pc



ITEM NO. 599-001-022
Fixing clamp Ø70 mm, stainless steel A4, angle plug, wall clearance 70 mm

// STANDARDS

- EN 55015:2016-04
- EN 60598-1:2015-10
- EN 62031:2015-09
- EN 61000-4-4:2013-04
- EN 61000-3-2:2015-03
- EN 6100-4-5:2015-03
- EN 61000-3-3:2014-03
- EN 61000-4-2:2009-12
- EN 61373:2011-04
- EN 50155:2018-05

TECHMALUX

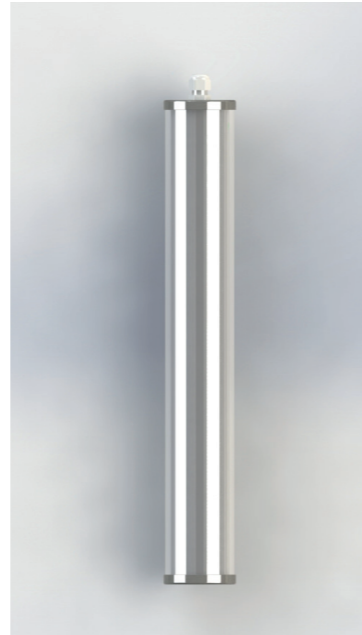
RoLED70/6026

Stainless steel

// TECHNICAL DATA

ITEM NO.: 591-156-026

Operating voltage 230 V AC | 50 Hz
 Rated output 27,1 W
 Ambient temp. -5°C - max. 50°C
 System of protection IP67
 Protection class SK I
 Weight 2,03 kg
 Protective tube PMMA
 Lamp housing Aluminium, anodized
 Type of lighting Tubular lamp
 Scope of application Industrial sector



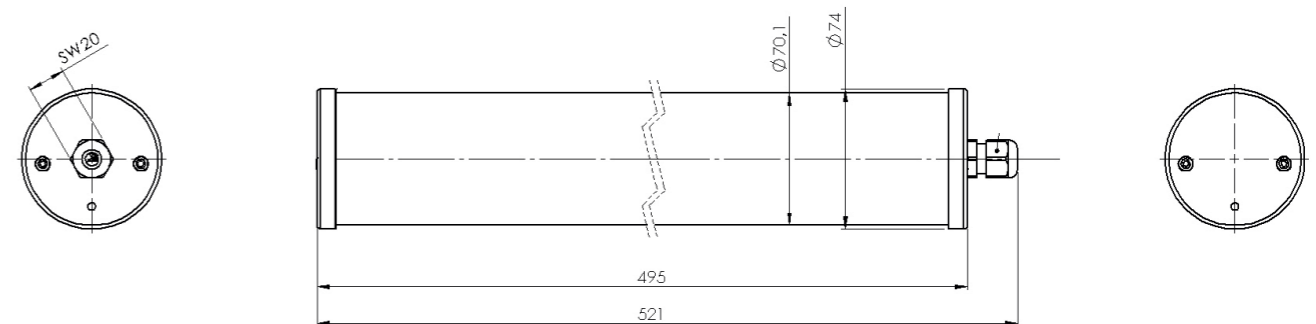
// SHORT OVERVIEW

TYPE	ITEM NO.	VOLTAGE	POWER	LUMINOUS/LUMEN	PROTECTIVE TUBE	LENGTH/MM	CONNECTION
RoLED 70	591-156-026	230 V AC	27,1 W	2940	PMMA	495	cable gland

// VARIATIONS

TYPE	ITEM NO.	VOLTAGE	POWER	LUMINOUS/LUMEN	PROTECTIVE TUBE	LENGTH/MM	CONNECTION
RoLED 70	591-156-009	230 V AC	41,6 W	4200	PMMA	728	cable gland stainless steel
RoLED70	591-156-025	230 V AC	21,8 W	2100	PMMA	407	cable gland stainless steell
RoLED70	591-156-027	230 V AC	41,6 W	4200	PMMA	1035	cable gland

// TECHNICAL DRAWING



// LIGHT SOURCES

Number of LEDs 84
 Lifetime > 60.000 h
 Colour rendering Ra > 80
 Luminous flux 2940 lm
 Light efficiency 125 lm / W
 Light colour 5000 K

// BALLAST (internal)

Operating voltage 230 V AC
 Power factor 0,95
 Output voltage 24 V DC
 Output power max. 60 W

// ELECTRICAL CONNECTION

Cable gland M16 x 1,5 PA
 Internal connection luster terminal

// FEATURES

- High-quality end caps made of stainless steel – this lamp is especially suitable for use in the food sector
- Internal aluminium body
- Several mounting options available (accessory)
- Popular LED alternative to conventional tube clamps

// FIXING (optional)

Fixing clamp



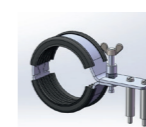
ITEM NO. 599-001-001
 Fixing clamp Ø70 mm, galvanised, straight



ITEM NO. 599-001-002
 Fixing clamp Ø70 mm, galvanised, angle plug, wall clearance 70 mm, with distance bush



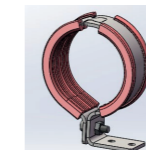
ITEM NO. 599-001-003
 Fixing clamp Ø70 mm, galvanised, angle plug, wall clearance 100 mm



ITEM NO. 599-001-004
 Fixing clamp Ø70 mm, galvanised, straight, with distance tube



ITEM NO. 599-001-016
 Tension clamp D70 mm, VPE 1 pc



ITEM NO. 599-001-022
 Fixing clamp Ø70 mm, stainless steel A4, angle plug, wall clearance 70 mm

// STANDARDS

- EN 55015:2016-04
- EN 60598-1:2015-10
- EN 62031:2015-09
- EN 61000-4-4:2013-04
- EN 61000-3-2:2017-03
- EN 61000-4-5:2015-03
- EN 61000-3-3:2014-03
- EN 61000-4-2:2009-12

TECHMALUX

// 06 STABLED PRODUCT SERIES

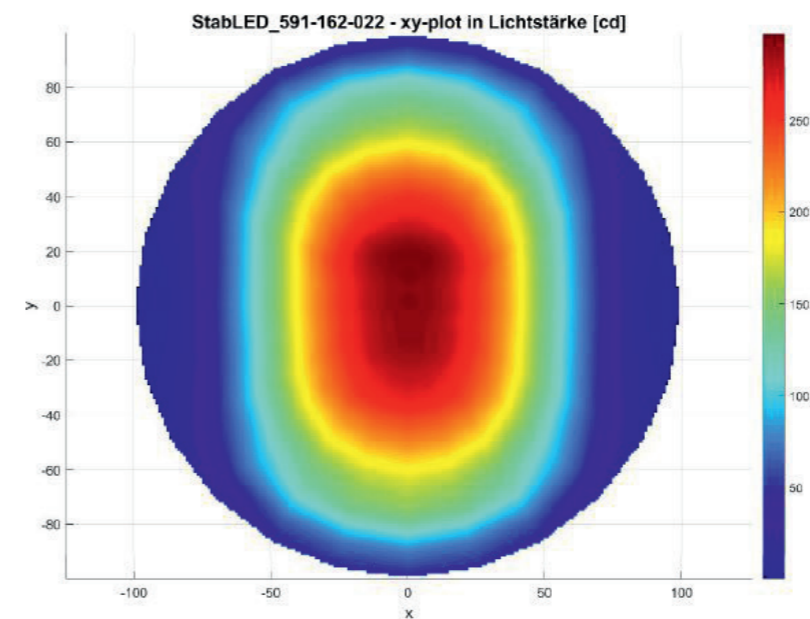
MORE THAN JUST A SIMPLE 'LIGHT ROD'

StabLED

As the heading says: our StabLED lamps are more than pure „light rods“. The StabLED lamp has its origin in the workshops where it still reliably places lifting platforms and inspection pits in the right light. Due to a diameter of only 20 mm, it is extremely good at that! Furthermore, owing to this narrow diameter it has meanwhile also been used outside workshops – i.e. wherever there is little space available for illumination.

The extremely narrow diameter of the lighting protective tube applies to the entire StabLED product series – additional variants have e.g. a diameter of 26 mm or 40 mm.

It can almost be said that these lamps represent a mini version of the classical 70 mm tube lamps – combining all of their advantages in a slim housing – great!



Distribution of the luminous intensity based on
StabLED20/162022 | Item no. 591-162-022

StabLED20/162022



// TECHNICAL DATA

ITEM NO.: 591-162-022

Operating voltage	24 V DC
Rated output	20 W
Ambient temp.	-5°C - max. 40°C
System of protection	IP67
Protection class	SK II
Weight	0,55 kg
Coverage	Polycarbonat
Lamp housing	Aluminium
Type of lighting	Tubular lamp
Scope of application	Industrial sector



// LIGHT SOURCES

Number of LEDs	150
Current	0,83 A
Colour rendering	Ra > 80
Luminous flux	1170 lm
Light efficiency	58 lm / W
Light colour	4000 K

// BALLAST (external)

Output voltage	24 V DC
Output power	min. 25 W

// ELECTRICAL CONNECTION

Cable gland	M16x1,5 Ms
-------------	------------

// FEATURES

- Extremely narrow LED tube lamp – Ø of only 20 mm!
- Our StabLED is a true space-saving miracle
- Ideal e.g. for use in lifting platforms – rotatable!
- Through-wiring
- Easy connection via cable gland M16x1,5



// SHORT OVERVIEW

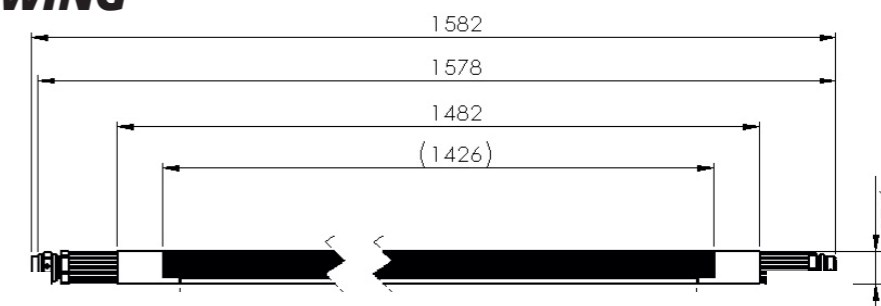
TYPE	ITEM NO.	VOLTAGE	POWER	LUMINOUS/LUMEN	COVERAGE	LENGTH/MM	CONNECTION
StabLED20	591-162-022	24 V DC	20 W	1170	Polycarbonat	1582	cable gland

// VARIATIONS

TYPE	ITEM NO.	VOLTAGE	POWER	LUMINOUS/LUMEN	PROTECTIVE TUBE	LENGTH/MM	CONNECTION
StabLED20	5941-162-003	24 V DC	67,2 W	8400	PC	2556	M12 + cable gland
StabLED20	591-162-004	24 V DC	10,4 W	608	PC	922	M12, plug/socket
StabLED20	591-162-007	24 V DC	24 W	4200	PC	2696	cable gland
StabLED20	591-162-024	24 V DC	16,6 W	1076	PC	1350	cable gland

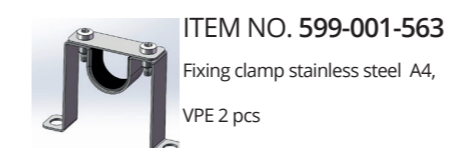
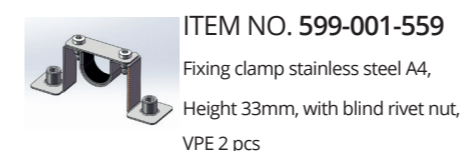
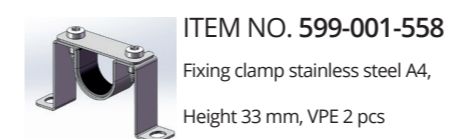
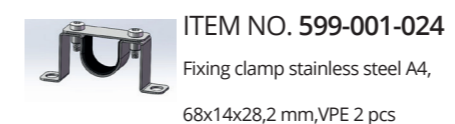
Other variations available! For further information, please contact us.

// TECHNICAL DRAWING

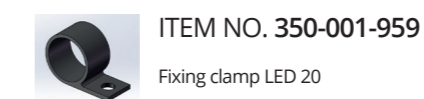
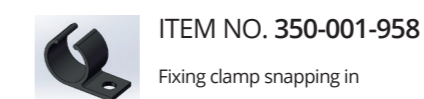
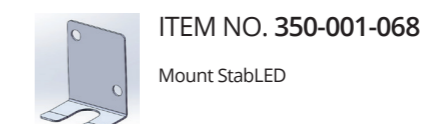


// FIXING / ACCESSORIES (optional)

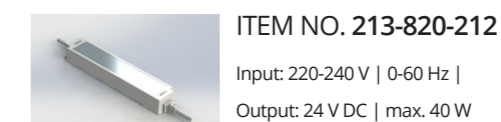
Fixing clamps



Mount



Power supply SELV (IP66)



// STANDARDS

EN 55015:2016-04
EN 60598-1:2015-10
EN 62031:2015-09
UL 2108

TECHMALUX

StabLED26/166002



// TECHNICAL DATA

ITEM NO.: 591-166-002

Operating voltage	24 V DC
Rated output	6,3 W
Ambient temp.	-5°C - max. 40°C
System of protection	IP67
Protection class	SK II
Weight	0,32 kg
Protective tube	Borosilicate
Lamp housing	Aluminium
Type of lighting	Tubular lamp
Scope of application	Industrial sector



// LIGHT SOURCES

Number of LEDs	24
Current	0,26 A
Lifetime	> 60.000 h
Colour rendering	Ra > 80
Energy efficiency class	A ++
Luminous flux	840 lm
Light efficiency	134 lm / W
Light colour	5000 K

// BALLAST (external)

Output voltage	24 V DC
Output power	min. 11 W

// ELECTRICAL CONNECTION

Type of connection	Flange plug M12x1, A-coded, 4-pole
Pin assignment	Pin 1: +24 V DC; Pin 2: GND



// FEATURES

- Very narrow LED tube lamp – place-saving diameter of only 26 mm!
- Resistant against the common coolants and lubricants
- Removable glare protection
- Rotatable (with appropriate accessories)

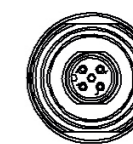
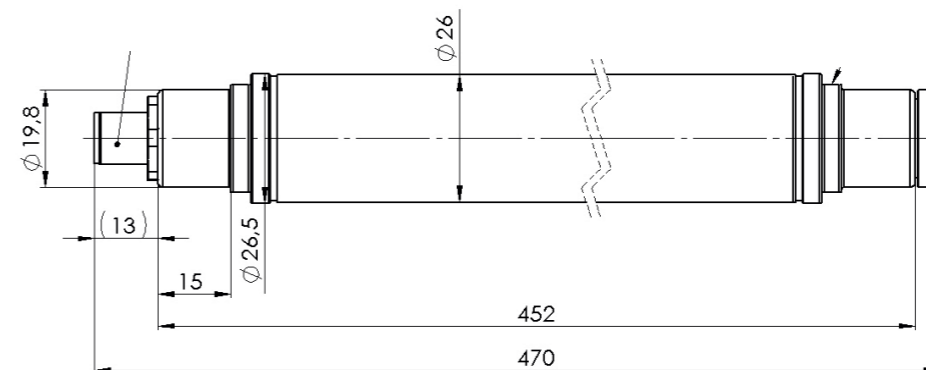
// SHORT OVERVIEW

TYPE	ITEM NO.	VOLTAGE	POWER	LUMINOUS/LUMEN	PROTECTIVE TUBE	LENGTH/MM	CONNECTION
StabLED26	591-166-002	24 V DC	6,3 W	840	Borosilicate	470	M12, lateral

// VARIATIONS

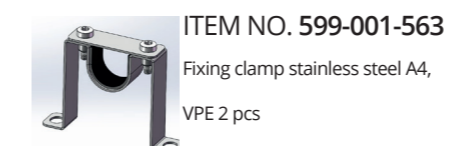
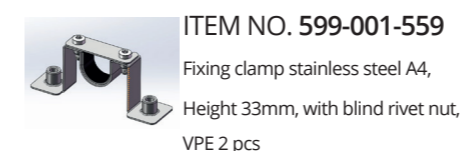
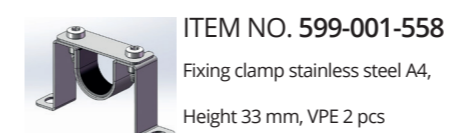
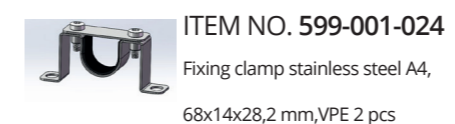
TYPE	ITEM NO.	VOLTAGE	POWER	LUMINOUS/LUMEN	PROTECTIVE TUBE	LENGTH/MM	CONNECTION
StabLED26	591-166-004	24 V DC	13,5 W	1680	Borosilicate	712	M12, lateral

// TECHNICAL DRAWING

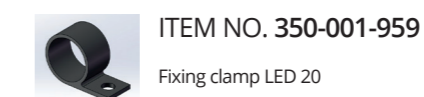
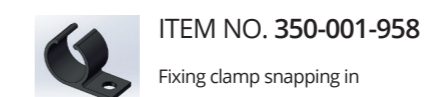
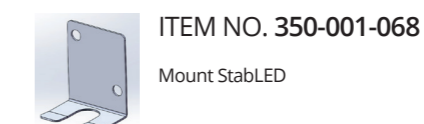


// FIXING / ACCESSORIES (optional)

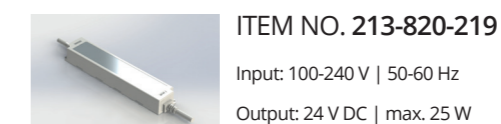
Fixing clamps



Mount



Power supply SELV (IP67)



// STANDARDS

- EN 55015:2016-04
- EN 60598-1:2015-10
- EN 62031:2015-09
- UL 2108

TECHMALUX

StabLED26/166005



// TECHNICAL DATA

ITEM NO.: 591-166-005

Operating voltage	24 V DC
Rated output	13,5 W
Ambient temp.	-5°C - max. 40°C
System of protection	IP67
Protection class	SK II
Weight	1,2 kg
Protective tube	Borosilicate
Lamp housing	Aluminium
Type of lighting	Tubular lamp
Scope of application	Industrial sector



// LIGHT SOURCES

Number of LEDs	48
Current	0,56 A
Lifetime	> 60.000 h
Colour rendering	Ra > 80
Energy efficiency class	A ++
Luminous flux	1680 lm
Light efficiency	125 lm / W
Light colour	5000 K

// BALLAST (external)

Output voltage	24 V DC
Output power	min. 18 W

// ELECTRICAL CONNECTION

Type of connection	Flange plug M12x1, A-coded, 4-pole
Pin assignment	Pin 1: +24 V DC; Pin 2: GND



// FEATURES

- Narrow diameter of only 40 mm – place-saving
- High luminous flux and good light output
- Robust protective tube – 5 mm
- Connection to machine voltage 24 V DC
- M12 plug connector



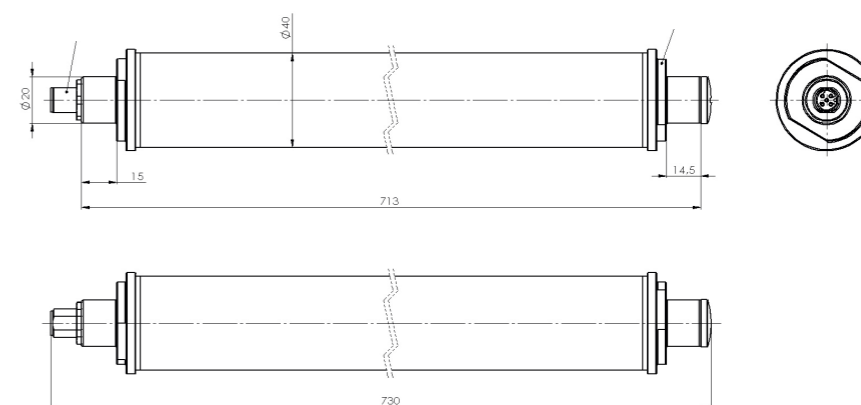
// SHORT OVERVIEW

TYPE	ITEM NO.	VOLTAGE	POWER	LUMINOUS/LUMEN	PROTECTIVE TUBE	LENGTH/MM	CONNECTION
StabLED26	591-166-005	24 V DC	13,5	1680	Borosilicate	730	M12, lateral

// VARIATIONS

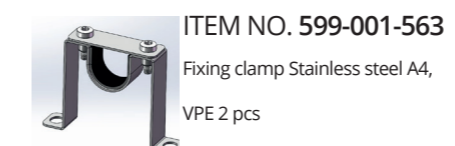
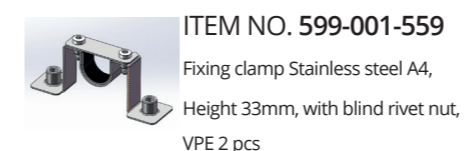
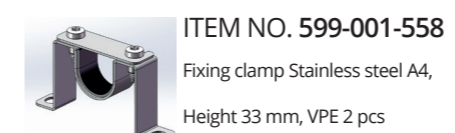
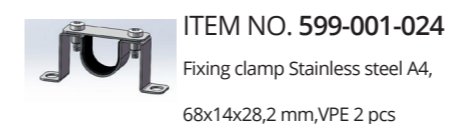
TYPE	ITEM NO.	VOLTAGE	POWER	LUMINOUS/LUMEN	PROTECTIVE TUBE	LENGTH/MM	CONNECTION
StabLED30 white/red	591-166-023	24 V DC	15,4 W 9,1 W	1600 265	PMMA	593	M12, wired

// TECHNICAL DRAWING

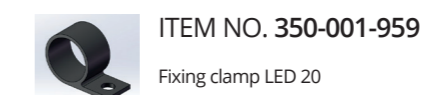
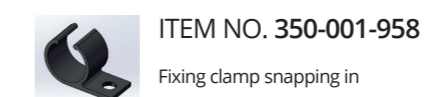
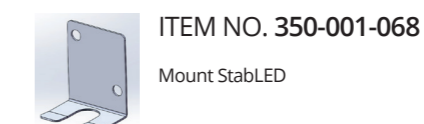


// FIXING / ACCESSORIES (optional)

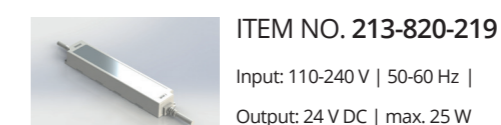
Fixing clamps



Mount



Power supply SELV (IP67)



// STANDARDS

EN 55015:2016-04
EN 60598-1:2015-10
EN 62031:2015-09
UL 2108

TECHMALUX

// 07 MINILED

HIGHLY LUMINOUS FEATHERWEIGHT!

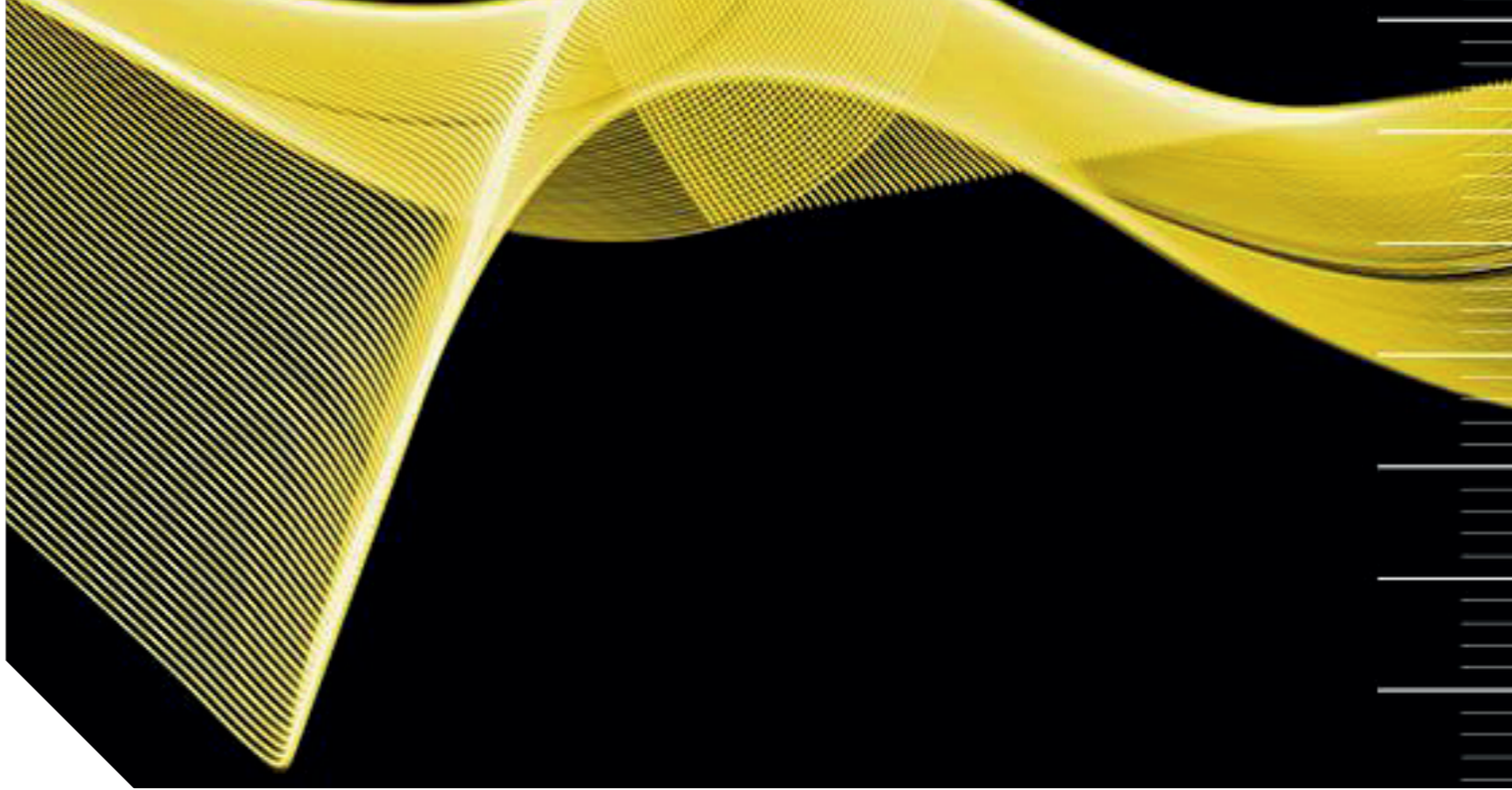
MiniLED7

You should not be misled by the product name! Our MiniLED7 lamp is great! It features an aluminium housing, 300 LEDs and thus has an extremely high light output. Moreover, this lamp provides a good price-performance ratio. So far, so great.

However, if one takes a closer look, one can still discern some features that can be categorized as „mini“:
For example, the extreme lightweight of only about 300 grams and an installation height of only around 13 mm.

On the next page we present to you the standard design of our MiniLED7. However, we can also offer other variants – e.g. various lengths and also different colour concepts – please, do not hesitate to contact us!

Especially convenient: the MiniLED can be mounted quickly and easily via the existing end caps.



MiniLED7/001015

// TECHNICAL DATA

ITEM NO.: 593-001-015

Operating voltage	24 V DC
Rated output	24 W
Ambient temp.	-5°C - max. 40°C
System of protection	IP20
Protection class	SK II
Weight	0,312 kg
Coverage	Polycarbonat
Lamp housing	Aluminium, anodized
Type of lighting	Hydraulic lift lamp
Scope of application	Industrial sector



// LIGHT SOURCES

Number of LEDs	300
Current	1 A
Colour rendering	Ra > 80
Luminous flux	840 lm
Light efficiency	35 lm / W
Light colour	4000 K

// BALLAST (external)

Output voltage	24 V DC
Output power	min. 29 W

// ELECTRICAL CONNECTION

Type of connection	via open cable end
--------------------	--------------------

// FEATURES

- Aluminium housing – good heat dissipation possible
- Light emitted over the entire width of the lamp
- Low maintenance & service-friendly
- Very light, compact LED lamp
- Very good price-performance ratio

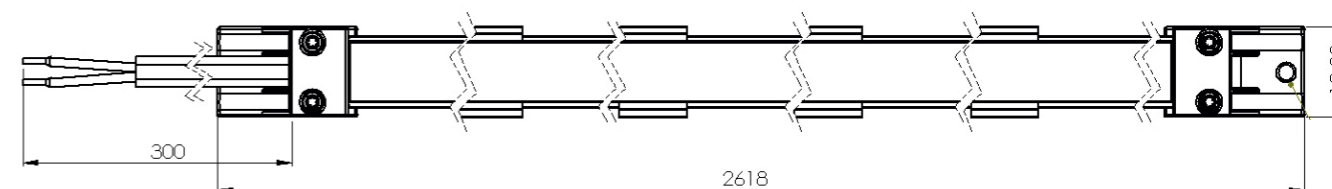
// SHORT OVERVIEW

TYPE	ITEM NO.	VOLTAGE	POWER	LUMINOUS/ LUMEN	COVERAGE	DIMENSIONS/ MM	CONNECTION
MiniLED7	593-001-015	24 V DC	24 W	840	PC	2618x13x20	open cable end

// VARIATIONS

TYPE	ITEM NO.	VOLTAGE	POWER	LUMINOUS/ LUMEN	COVERAGE	DIMENSIONS/ MM	CONNECTION
MiniLED7	593-001-006	24 V DC	13,44 W	1680	PC	588x13x20	open cable end
MiniLED7	593-001-020	24 V DC	16,6 W	1290	PC	1270x13x20	open cable end
MiniLED7	593-001-021	24 V DC	20,2 W	1580	PC	1500x13x20	open cable end
MiniLED7	593-001-030	24 V DC	4,7 W	630	PC	288x13x20	open cable end
MiniLED7	593-001-032	24 V DC	4,7 W	630	potting	288x13x20	open cable end

// TECHNICAL DRAWING



// STANDARDS

- EN 55015:2016-04
- EN 60598-1:2015-10
- EN 6100:2013-04
- EN 61000-4-2: 2009-12

// ACCESSORIES (optional)

Power supply SELV (IP66)

	ITEM NO. 213-820-212
	Input: 220-240 V 0-60 Hz
	Output: 24 V DC max. 40 W

TECHMALUX

// 08 LUMOLED SE

TRADITION & MODERNITY

LumoLED SE

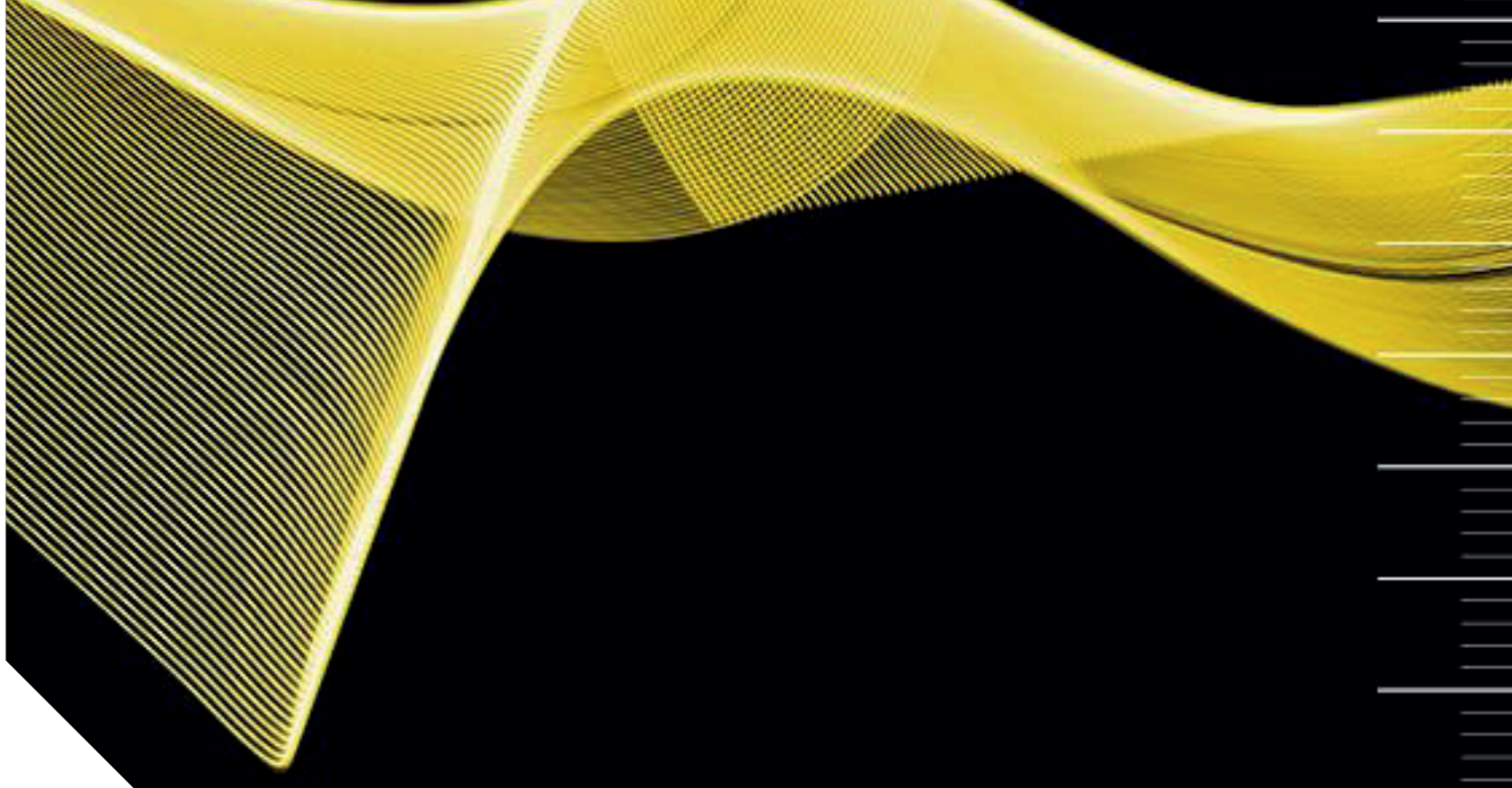
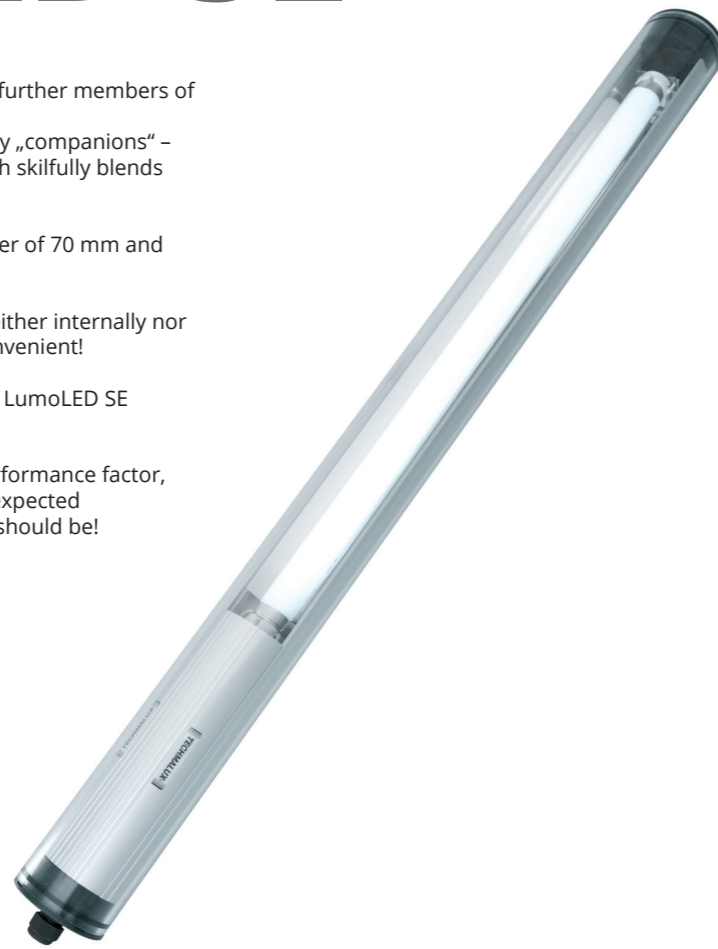
There it is – our LumoLED SE lamp. All alone – without any further members of a possible product family. But do you know what? The LumoLED SE does not need any „companions“ – it can assert itself – it is after all a sensational product which skilfully blends traditional design and state-of-the-art technology.

Protective tube made of borosilicate glass, classical diameter of 70 mm and an efficient LED luminaire inside – that is the LumoLED SE!

The operation of the lamp no longer requires a ballast – neither internally nor externally. The LED luminaire can be operated directly. Convenient!

The modern LED luminaire is replaceable which makes the LumoLED SE low-maintenance and thus service-friendly.

In addition, we offer a good luminous flux, an excellent performance factor, high-quality processing and, under normal conditions, an expected service life of about 50,000 h – that's how a machine lamp should be!



LumoLED SE

// TECHNICAL DATA

ITEM NO.: 591-111-024

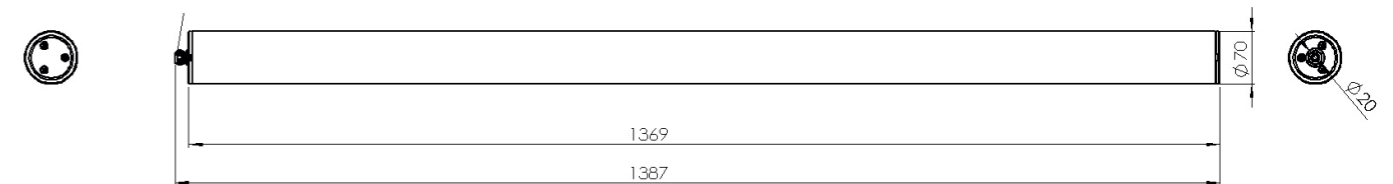
Operating voltage	230 V AC 50 Hz
Rated output	16 W
Ambient temp.	-5°C - max. 40°C
System of protection	IP67
Protection class	SK I
Weight	4,67 kg
Protective tube	Borosilicate
Type of lighting	Tubular lamp
Scope of application	Industrial sector



// SHORT OVERVIEW

TYPE	ITEM NO.	VOLTAGE	POWER	LUMINOUS/LUMEN	PROTECTIVE TUBE	DIMENSIONS/ MM	CONNECTION
LumoLED SE	591-111-024	230 V AC	16 W	2500	Borosilicate	Ø70x1369	cable gland

// TECHNICAL DRAWING



// LIGHT SOURCES

Lifetime	50.000 h
Colour rendering	Ra = 83
Energys efficiency class	A ++
Luminous flux	2500 lm
Light efficiency	156 lm / W
Light colour	4000 K

// ELECTRICAL CONNECTION

Cable gland	M16 x 1,5 Ms nickel-plated
Internal connection	luster terminal, 3-pole
Internal electrical lines	Multinorm wires

// FEATURES

- Robust borosilicate protective tube
- No converter required
- Common M16 cable gland – quick & easy
- Very good price-performance ratio
- Classical diameter of 70 mm

// FIXING (optional)

Fixing clamps



ITEM NO. 599-001-001
Fixing clamp Ø70 mm, galvanised, straight



ITEM NO. 599-001-002
Fixing clamp Ø70 mm, galvanised, angle plug, wall clearance 70 mm, with distance bush



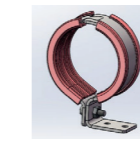
ITEM NO. 599-001-003
Fixing clamp Ø70 mm, galvanised, angle plug, wall clearance 100 mm



ITEM NO. 599-001-004
Fixing clamp Ø70 mm, galvanised, straight, with distance tube



ITEM NO. 599-001-016
Tension clamp D70 mm VPE 1 pc



ITEM NO. 599-001-022
Fixing clamp Ø70 mm, Stainless steel A4, angle plug, wall clearance 70 mm

// STANDARDS

EN 55015:2016-04
EN 60598-1:2015-10
EN 62031:2015-09
EN 61000-4-4:2013-4
EN 61000-3-2:2015-3
EN 61000-4-5:2015-03

TECHMALUX

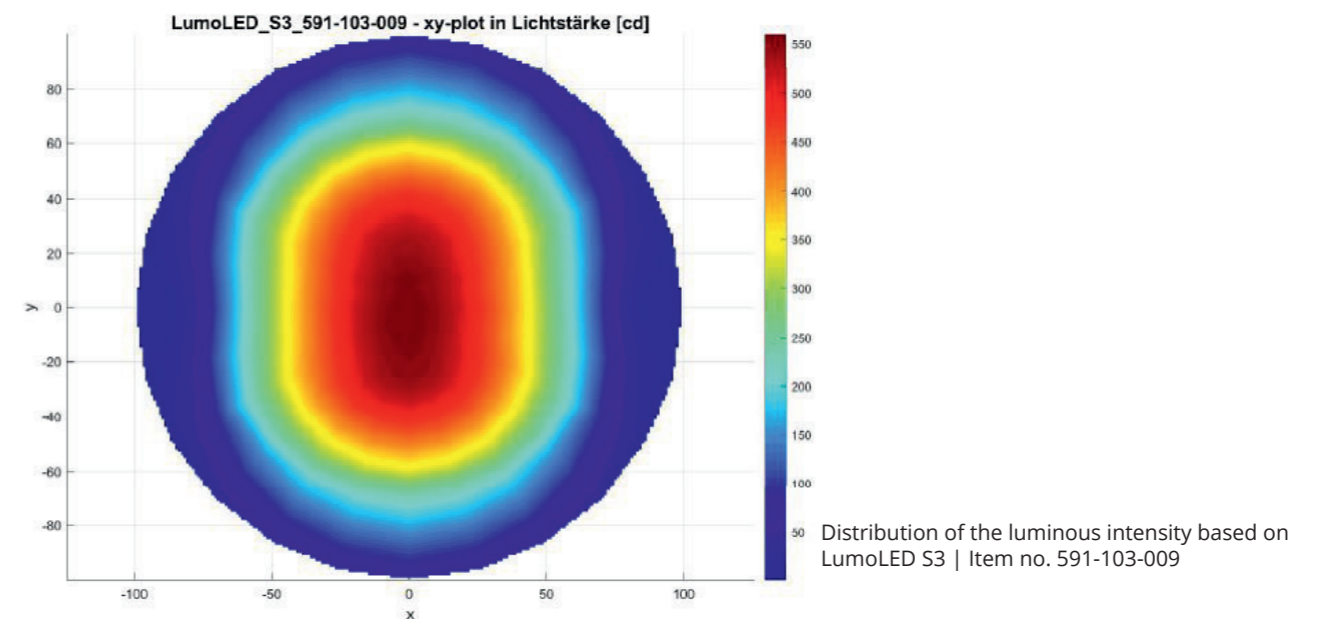
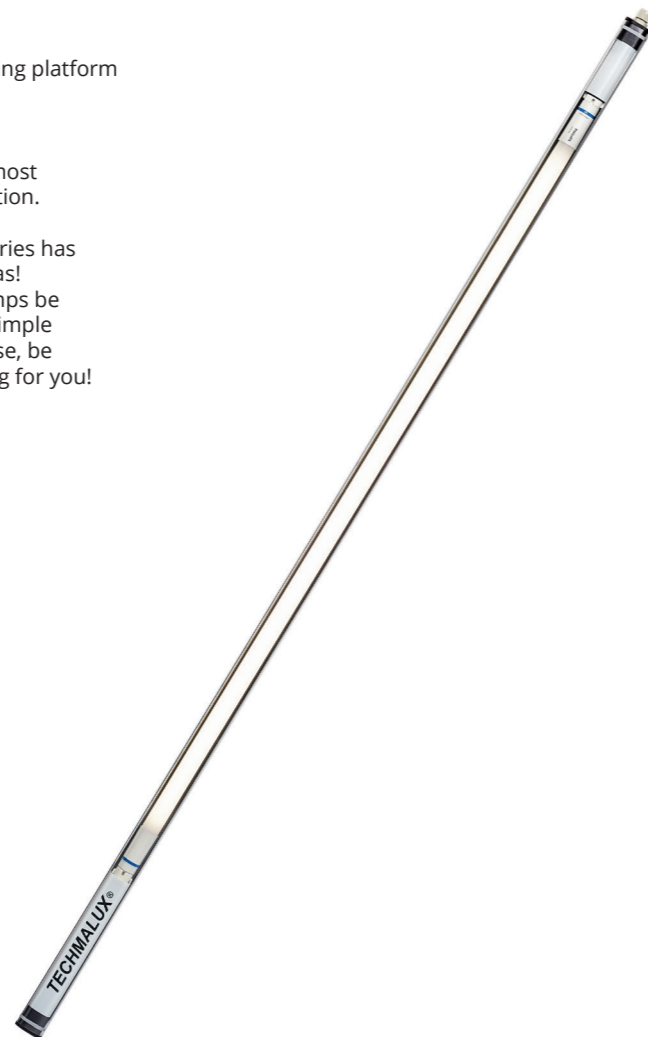
**// 09 LUMOLED S3
PRODUCT SERIES**
SQUARE - FUNCTIONAL

LumoLED S3

Next time when you are in the workshop, just take a look at the lifting platform – it may well be that you will there find our LumoLED S3 lamps!

Originally, we developed this product series for use in workshops: Lifting platforms or inspection pits – due to its slim design it fits almost anywhere and its efficient LED luminaire provides optimal illumination.

Thanks to the place-saving installation this TECHMALUX product series has meanwhile not only been used in workshops, but also in other areas! You need much light over a relatively long distance? Should the lamps be suitable for through-wiring? You are looking for a lamp offering a simple mounting option? And the price-performance ratio should, of course, be good?! Please have a look at the next page – we have got something for you!



LumoLED S3

// TECHNICAL DATA

ITEM NO.: 591-103-009

Operating voltage 230 V AC | 50 Hz
 Rated output 16 W
 Ambient temp. -5°C - max. 40°C
 System of protection IP67
 Protection class SK I
 Weight 1,58 kg
 Protective tube PVC
 Type of lighting Hydraulic lift lamp
 Scope of application Industrial sector



// LIGHT SOURCES

Lifetime 50.000 h
 Colour rendering Ra = 83
 Energy efficiency class A ++
 Luminous flux 2500 lm
 Light efficiency 156 lm / W
 Light colour 4000 K

// ELECTRICAL CONNECTION

Cable gland M16 x 1,5 PA
 Internal connection luster terminal, 3-pole
 Internal electrical lines Multinorm wires

// FEATURES

- Robust internal aluminium body
- Extremely slim design of 40x40 mm
- Low maintenance & service-friendly
- Good light output – pleasant light colour
- IP67 protection – resistant and durable

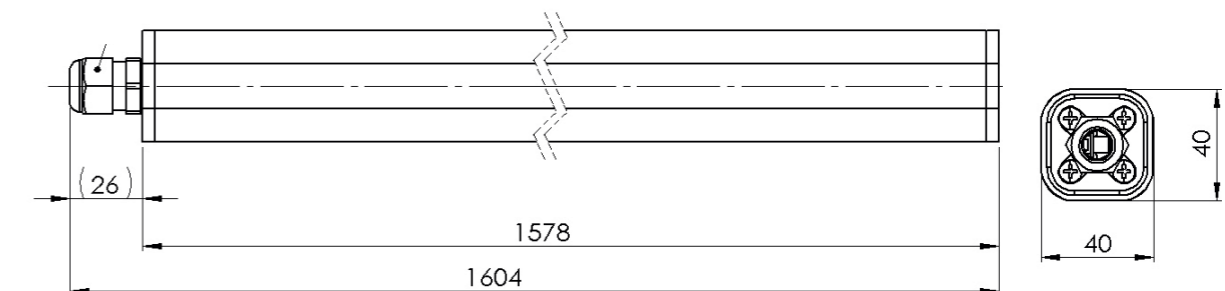
// SHORT OVERVIEW

TYPE	ITEM NO.	VOLTAGE	POWER	LUMINOUS/ LUMEN	PROTECTIVE TUBE	DIMENSIONS/ MM	CONNECTION
LumoLED S3	591-103-009	230 V AC	16 W	2500	PVC	1578x40x40	cable gland

// VARIATIONS

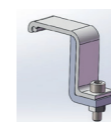
TYPE	ITEM NO.	VOLTAGE	POWER	LUMINOUS/ LUMEN	PROTECTIVE TUBE	DIMENSIONS/ MM	CONNECTION
LumoLED S3	591-103-010	230 V AC	16 W	2500	PVC	1578x40x40	DIN-PLUG
LumoLED S3	591-106-002	230 V AC	12 W	1575	PVC	1071x40x40	cable gland
LumoLED S3	591-111-023	230 V AC	24 W	3700	PVC	1747x40x40	cable gland

// TECHNICAL DRAWING

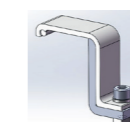


// FIXING (optional)

Fixing clamps



ITEM NO. 599-001-013
 Fixing clamp 40x40 mm,
 Aluminium, VPE 2 pcs



ITEM NO. 599-001-018
 Fixing clamp 40x40 mm,
 Aluminium, VPE 2 pcs



ITEM NO. 599-001-014
 Fixing clamp 40x40mm,
 TPE 73°Shore



ITEM NO. 599-001-017
 Fixing clamp round,
 Polyamid, VPE 2 pcs

// STANDARDS

EN 55015:2016-04
 EN 60598-1:2015-10
 EN 62031:2015-09
 EN 61000-4-4:2013-4
 EN 61000-3-2:2015-3
 EN 61000-4-5:2015-03

TECHMALUX

LumoLED S3

overmolding

// TECHNICAL DATA

ITEM NO.: 591-140-025

Operating voltage 230 V AC | 50 Hz
 Rated output 20 W
 Ambient temp. -5°C - max. 40°C
 System of protection IP67
 Protection class SK II
 Weight 1,6 kg
 Protective tube Polycarbonat
 Type of lighting Hydraulic lift lamp
 Scope of application Industrial sector



// LIGHT SOURCES

Power 20 W
 Power factor 0,89
 Lifetime > 60.000 h
 Colour rendering Ra > 80
 Energy efficiency class A +
 Luminous flux 3200 lm
 Light efficiency 160 lm / W
 Light colour 4000 K

// ELECTRICAL CONNECTION

Type of connection Flange plug M12x1 | flange receptacle,
 A-coded, 4-pole
 Pin assignment Pln 1: L; Pin 3: N
 Internal connection Wago-clamps

// FEATURES

- Through-wiring
- Slim, narrow housing – does not require much space
- Ideal for use in workshops
- Several fastening options – e.g. easy mounting via the end caps also possible – saves time and money!

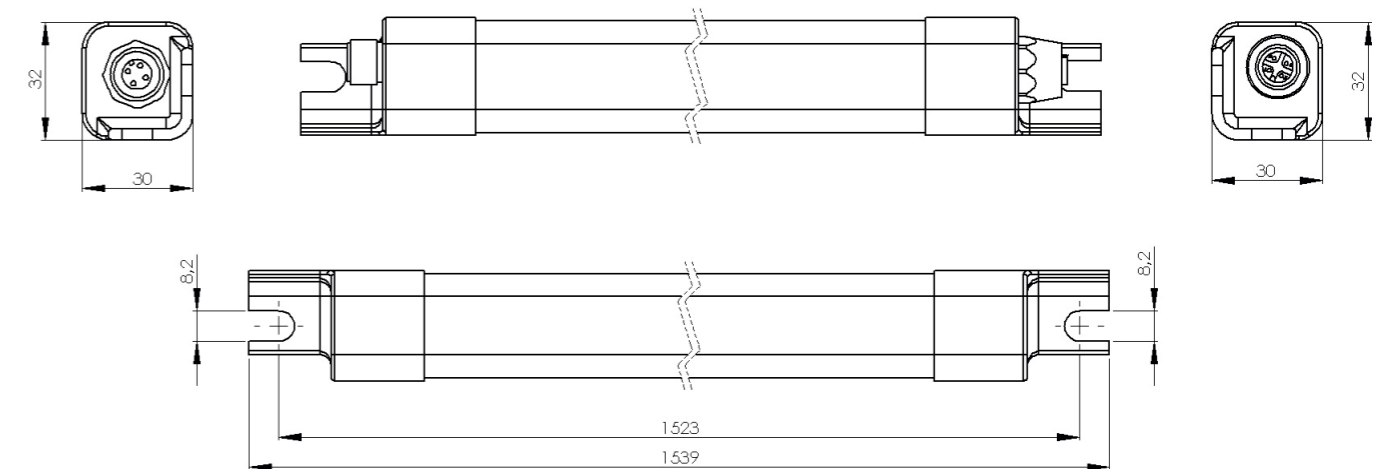
// SHORT OVERVIEW

TYPE	ITEM NO.	VOLTAGE	POWER	LUMINOUS/ LUMEN	PROTECTIVE TUBE	DIMENSIONS/ MM	CONNECTION
LumoLED S3	591-140-025	230 V AC	20 W	3200	PC	1523x30x32	M12, lateral

// VARIATIONS

TYPE	ITEM NO.	VOLTAGE	POWER	LUMINOUS/ LUMEN	PROTECTIVE TUBE	DIMENSIONS/ MM	CONNECTION
LumoLED 1000	591-151-002	24 V DC	25,2 W	3150	PC	1540x40x40	M12, lateral

// TECHNICAL DRAWING



// FIXING / ACCESSORIES (optional)

Fixing clamp



ITEM NO. 599-001-025
 Fixing clamp 32 x 30 mm Al
 Unit: 2 pcs /bag

Cable plug M12x1

ITEM NO. 213-080-057

Cable box M12x1

ITEM NO. 213-080-058

// STANDARDS

EN 55015:2016-04
 EN 60598-1:2015-10
 EN 61000-4-4:2013-4
 EN 61000-3-2:2015-3
 EN 61000-4-5:2015-03
 EN 61000-3-3:2014-03

TECHMALUX

// 10 LUMOLED K2/K3 PRODUCT SERIES

A CLASSIC IN A NEW DESIGN

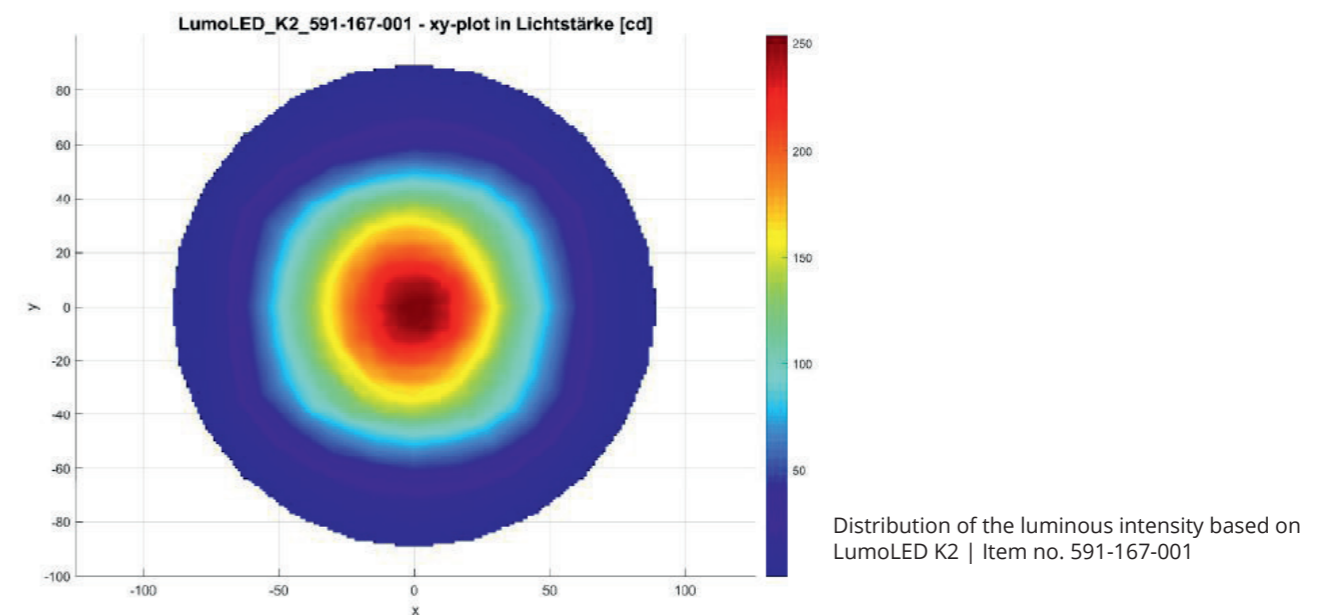
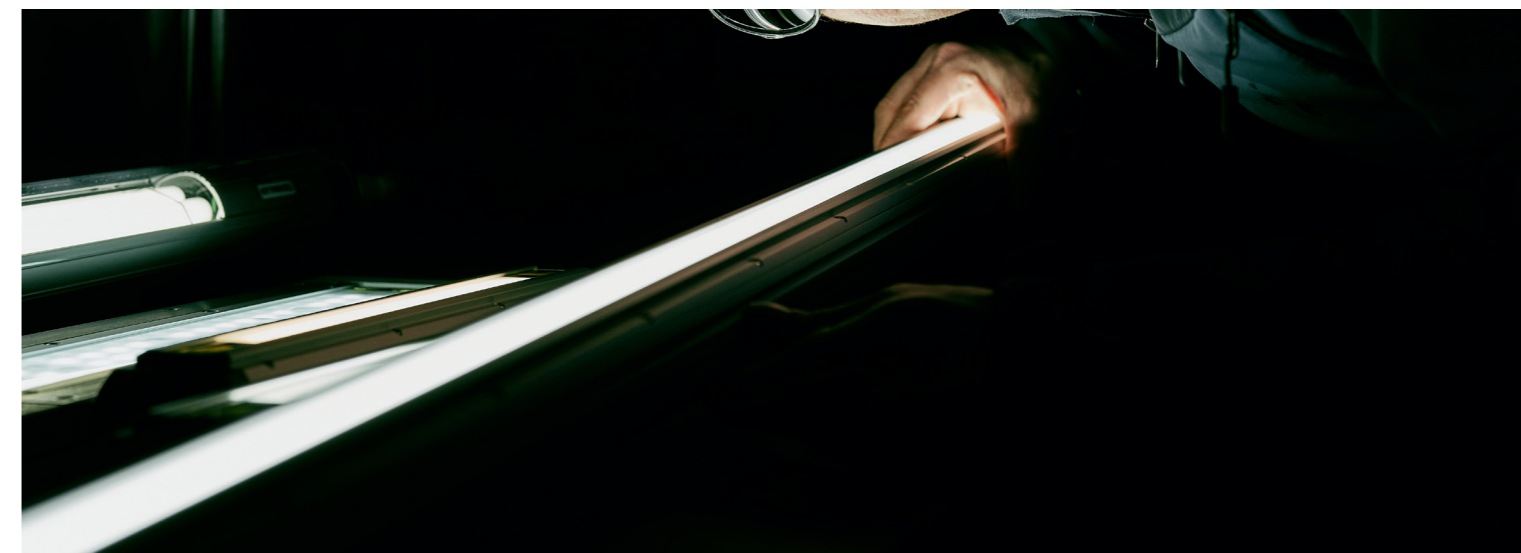
LumoLED K2/K3

As in all families: we all have the same origin, we all have something in common, but still there are, here and there, substantial differences with everyone being unique with some rough edges. This is also true for our product family LumoLED K2/K3!

On the one hand there are the K2 lamps with the classic protective cover, on the other hand there is a K2 lamp with a borosilicate protective tube and, additionally, there is the K3 lamp design with a traditional tube lamp housing made of polycarbonate.

The differences are not only due to design. Different light output, various light colours, 24 V DC, 230 V AC, cable gland or connection cable, ... for almost every application one of our „family members“ may come into question.

What all of our K2/K3 lamps have in common: the usual TECHMALUX quality, the robust design and the reliable functionality.

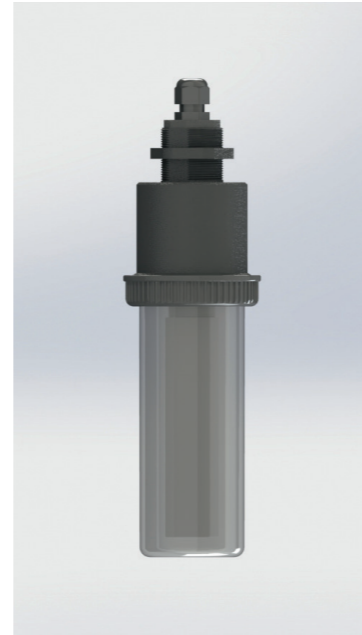


LumoLED K2

// TECHNICAL DATA

ITEM NO.: 591-027-004

Operating voltage	230 V AC 50 Hz
Rated output	11 W
Ambient temp.	-5°C - max. 40°C
System of protection	IP67
Protection class	SK II
Weight	0,65 kg
Cover	Borosilicate
Lamp housing	Polyamid
Type of lighting	Tubular lamp
Scope of application	Industrial sector



// LIGHT SOURCES

Lifetime	50.000 h
Power factor	0,96
Luminous flux	1250 lm
Light efficiency	113 lm / W
Light colour	6000 K

// ELECTRICAL CONNECTION

Cable gland	M16x1,5 PA
Internal connection	luster terminal
Internal electrical lines	Multinorm wires

// FEATURES

- Electrical connection in dry conditions
- Power supply cable outside of machining areas or wet conditions
- Simple and quick installation
- Protection against temporary submersion (IP67)
- Resistant against the most common coolants and lubricants

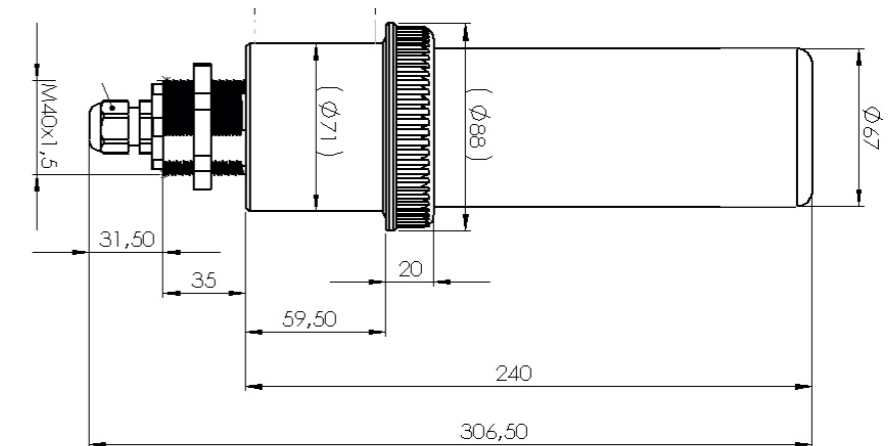
// SHORT OVERVIEW

TYPE	ITEM NO.	VOLTAGE	POWER	LUMINOUS/ LUMEN	COVER	DIMENSIONS/ MM	CONNECTION
LumoLED K2	591-027-004	230 V AC	11 W	1250	Borosilicate	Ø 67x306,5	cable gland

// VARIATIONS

TYPE	ITEM NO.	VOLTAGE	POWER	LUMINOUS/ LUMEN	COVER	DIMENSIONS/ MM	CONNECTION
LumoLED K2	591-026-005	230 V AC	6 W	620	Borosilicate	Ø 67x213	cable gland

// TECHNICAL DRAWING



// FIXING (optional)

Fixing clamps

- ITEM NO. 599-001-001
Fixing clamp Ø70 mm, galvanised, straight
- ITEM NO. 599-001-002
Fixing clamp Ø70 mm, galvanised, angle plug, wall clearance 70 mm, mit distance bush
- ITEM NO. 599-001-003
Fixing clamp Ø70 mm, galvanised, angle plug, wall clearance 100 mm

- ITEM NO. 599-001-004
Fixing clamp Ø70 mm, galvanised, straight, with distance tube
- ITEM NO. 599-001-016
Tension clamp D70 mm VPE 1 pc.

// STANDARDS

- EN 55015:2016-04
- EN 60598-1:2015-10
- EN 62031:2015-09
- EN 61000-4-4:2013-4
- EN 61000-3-2:2015-3
- EN 61000-4-5:2015-03

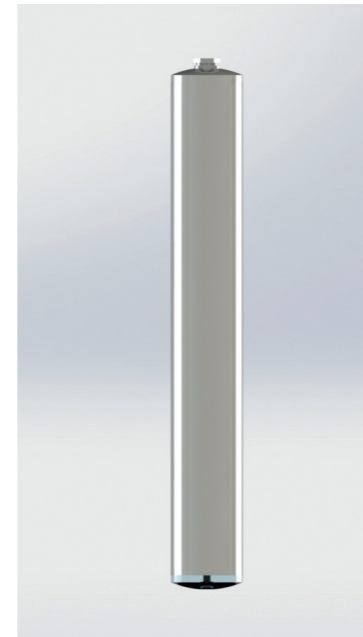
TECHMALUX

LumoLED K3

// TECHNICAL DATA

ITEM NO.: 591-100-002

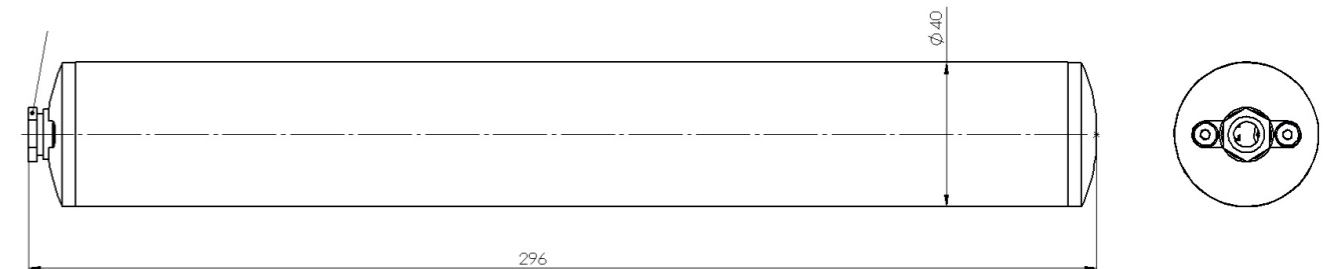
Operating voltage	230 V AC 50 Hz
Rated output	6 W
Ambient temp.	-5°C - max. 40°C
System of protection	IP54
Protection class	SK II
Weight	0,62 kg
Protective tube	Polycarbonat
Type of lighting	Tubular lamp
Scope of application	Industrial sector



// SHORT OVERVIEW

TYPE	ITEM NO.	VOLTAGE	POWER	LUMINOUS/LUMEN	PROTECTIVE TUBE	DIMENSIONS/ MM	CONNECTION
LumoLED K3	591-100-002	230 V AC	6 W	700	PC	296x40	open cable end

// TECHNICAL DRAWING



// LIGHT SOURCES

Lifetime	30.000 h
Colour rendering	Ra > 80
Energy efficiency class	A ++
Luminous flux	700 lm
Light efficiency	116 lm / W
Light colour	4000 K

// ELECTRICAL CONNECTION

Type of connection	open cable end, 7m Connection cable
--------------------	----------------------------------------

// FEATURES

- Robust, compact & efficient
- Space-saving installation due to slim design
- Low maintenance & service-friendly
- Resistant against the most common coolants and lubricants
- Simple installation and replaceable, if necessary

// STANDARDS

EN 55015:2016-04
EN 60598-1:2015-10
EN 62031:2015-09
EN 61000-4-4:2013-4
EN 61000-3-2:2015-3
EN 61000-4-5:2015-03
EN 61000-3-3:2014-03

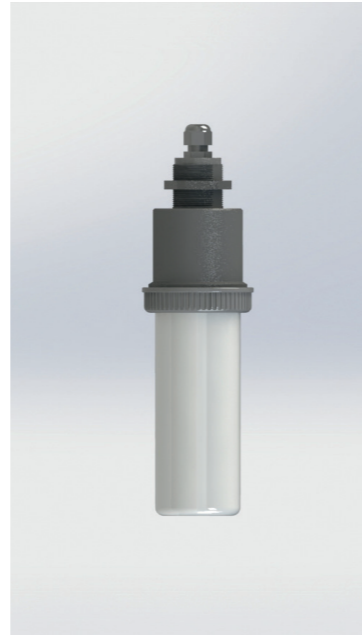
TECHMALUX

LumoLED K2

// TECHNICAL DATA

ITEM NO.: 591-167-001

Operating voltage	24 V DC
Rated output	7,2 W
Ambient temp.	-5°C - max. 40°C
System of protection	IP67
Protection class	SK II
Weight	1,04 kg
Coverage	Borosilicate
Lamp housing	Polyamid
Type of lighting	Tubular lamp
Scope of application	Industrial sector



// LIGHT SOURCES

Number of LEDs	28
Current	0,3 A
Colour rendering	Ra > 80
Luminous flux	1050 lm
Light efficiency	145 lm / W
Light colour	5000 K

// BALLAST (external)

Output voltage	24 V DC
Output power	min. 12 W

// ELECTRICAL CONNECTION

Cable gland	M16x1,5 PA
Internal connection	luster terminal, 2-pole

// FEATURES

- Robust internal aluminium body
- In-built glare protection – glare-free work environment
- Compact and reliable light source
- Very good light output
- Protection against temporary submersion

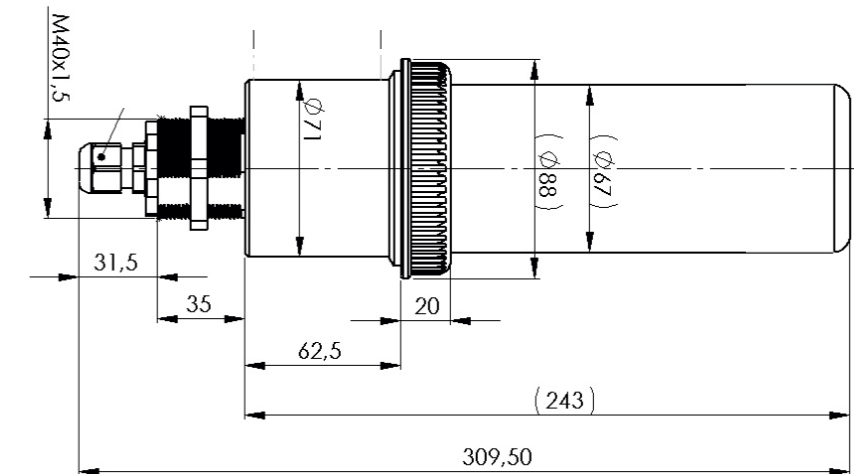
// SHORT OVERVIEW

TYPE	ITEM NO.	VOLTAGE	POWER	LUMINOUS/ LUMEN	COVERAGE	DIMENSIONS/ MM	CONNECTION
LumoLED K2	591-167-001	24 V DC	7,2 W	1050	Borosilicate	Ø 67x309,5	cable gland

// VARIATIONS

TYPE	ITEM NO.	VOLTAGE	POWER	LUMINOUS/ LUMEN	COVERAGE	DIMENSIONS/ MM	CONNECTION
LumoLED K2	591-167-002	24 V DC	7,2 W	1050	Borosilicate	Ø 67x285	M12
LumoLED K2	591-167-003	24 V DC	7,2 W	1050	Borosilicate	Ø 67x262x165	cable gland

// TECHNICAL DRAWING



// FIXING / ACCESSORIES (optional)

Fixing clamps

- ITEM NO. 599-001-001
Fixing clamp Ø70 mm, galvanised, straight
- ITEM NO. 599-001-002
Fixing clamp Ø70 mm, galvanised, angle plug, wall clearance 70 mm, mit distance bush
- ITEM NO. 599-001-003
Fixing clamp Ø70 mm, galvanised, angle plug, wall clearance 100 mm

- ITEM NO. 599-001-004
Fixing clamp Ø70 mm, galvanised, straight, with distance tube
- ITEM NO. 599-001-016
Tension clamp D70 mm VPE 1 pc

Power supply SELV (IP67)

- ITEM NO. 213-820-219
Input: 110-240 V | 50-60 Hz |
Output: 24 V DC | max. 25 W

// STANDARDS

- EN 55015:2016-04
- EN 60598-1:2015-10
- EN 62031:2015-09

TECHMALUX

LumoLED K2

// TECHNICAL DATA

ITEM NO.: 591-167-021

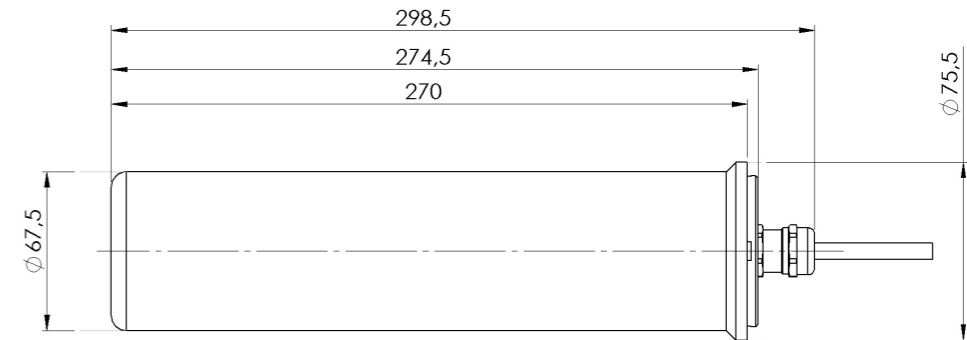
Operating voltage	24 V DC
Rated output	7,2 W
Ambient temp.	-5°C - max. 40°C
System of protection	IP67
Protection class	SK II
Weight	1,48 kg
Coverage	Borosilicate
Type of lighting	Tubular lamp
Scope of application	Industrial sector



// SHORT OVERVIEW

TYPE	ITEM NO.	VOLTAGE	POWER	LUMINOUS/LUMEN	COVERAGE	DIMENSIONS/MM	CONNECTION
LumoLED K2	591-167-021	24 V DC	7,2 W	1050	Borosilicate	Ø 67,5x298,5	5 m cable

// TECHNICAL DRAWING



// LIGHT SOURCES

Number of LEDs	28
Current	0,3 A
Colour rendering	Ra > 80
Luminous flux	1050 lm
Light efficiency	145 lm / W
Light colour	5000 K

// BALLAST (external)

Output voltage	24 V DC
Output power	min. 12 W

// ELECTRICAL CONNECTION

Connection	5 m connection cable
Internal connection	luster terminal, 2-pole

// FEATURES




- Highly luminous machine tube lamp in miniature
- Place-saving installation due to slim design
- Connection cable, 5 m, included
- Very good light output
- Glare-free illumination due to built-in glare protection

// FIXING / ACCESSORIES (optional)

Power supply SELV (IP67)

	ITEM NO. 213-820-219
	Input: 110-240 V 50-60 Hz
	Output: 24 V DC max. 25 W

Fixing clamps

	ITEM NO. 599-001-001 Fixing clamp Ø70 mm, galvanised, straight
	ITEM NO. 599-001-002 Fixing clamp Ø70 mm, galvanised, angle plug, wall clearance 70 mm, mit distance bush
	ITEM NO. 599-001-003 Fixing clamp Ø70 mm, galvanised, angle plug, wall clearance 100 mm

	ITEM NO. 599-001-004 Fixing clamp Ø70 mm, galvanised, gerade, mit Distanzrohr
	ITEM NO. 599-001-016 Tension clamp D70 mm VPE 1 pc

// STANDARDS

EN 55015:2016-04
EN 60598-1:2015-10
EN 62031:2015-09

TECHMALUX

// 11 BETALED PRODUCT SERIES

ILLUMINATION - TO THE POINT!

BetaLED

Our BetaLED workplace lamps simply get to the point:
with or without arms.

In just a few steps you can quickly and easily direct the light to a specific area.

At first glance, one would not have expected the lamps to be
that flexible – due to their robust and „striking“ appearance.
But believe us: our BetaLED lamps are real space-saving miracles.

Rotatable, swivelling, robust and flexible – a really good combination!



BetaLED G

// TECHNICAL DATA

ITEM NO.: 595-031-001

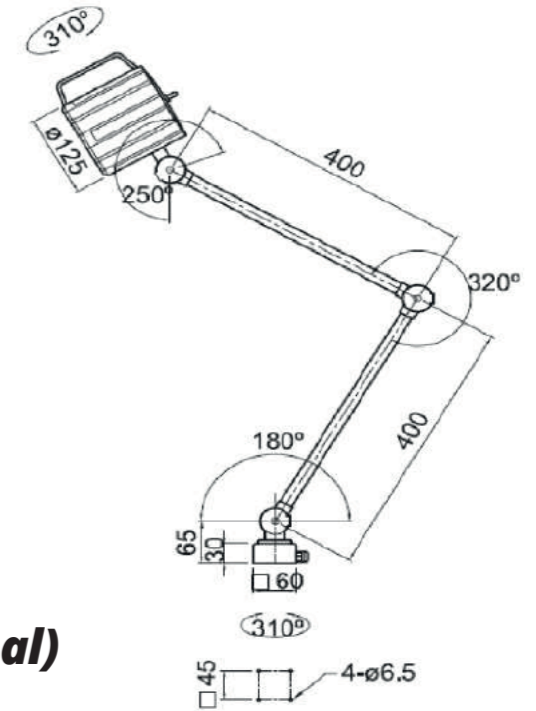
Operating voltage	24 V DC
Rated output	6x2 W
Ambient temp.	-5°C - max. 40°C
System of protection	IP65
Protection class	SK II
Weight	3,5 kg
Glass plate	Borosilicate
Lamp housing	Aluminium, lacquered
Type of lighting	Articulated lamp
Scope of application	Industrial sector



// SHORT OVERVIEW

TYPE	ITEM NO.	VOLTAGE	POWER	LUMINOUS/LUMEN	COVERAGE	DIMENSIONS/ MM	CONNECTION
BetaLED G	595-031-001	24 V DC	6x2W	1020	Borosilicate	400x400x60	1,8m cable

// TECHNICAL DRAWING



// LIGHT SOURCES

Number of LEDs	6
Current	0,5 A
Luminous flux	1020 lm
Light efficiency	85 lm / W
Light colour	6500 K

// BALLAST (external)

Output voltage	24 V DC
Output power	min. 16 W

// ELECTRICAL CONNECTION

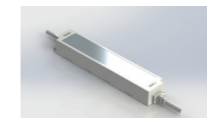
Connection	1,8 m connection cable
------------	------------------------

// FEATURES

- Robust aluminium housing
- Handle on the lamp head – secure and quick direction of the light
- Flexible and individual positioning – due to long arms
- Illumination of a specific point
- Further versions (lamp head with switch) available

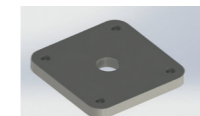
// FIXING / ACCESSORIES (optional)

Power supply SELV (IP67)



ITEM NO. 213-820-219
Input: 110-240 V | 50-60 Hz
Output: 24 V DC | max. 25 W

Fixation plate



ITEM NO. 350-003-060
for rotary base in stainless steel 1.4301

Screw terminal



ITEM NO. 599-001-006
for rotary base fixing

Magnet

Ø 80mm 45x45 with fixing screws

ITEM NO. 599-002-002

Mounting bracket

for rotary base fixing

ITEM NO. 599-001-009

// STANDARDS

EN 55015:2016-04
EN 60598-1:2015-10
EN 62031:2015-09

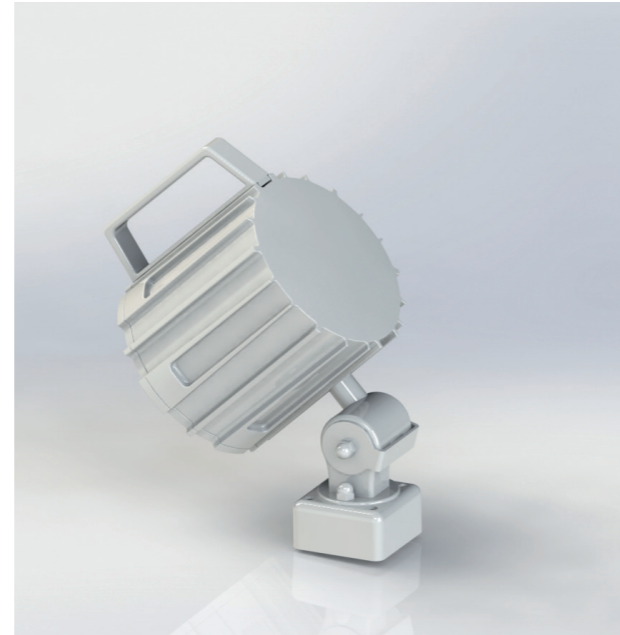
TECHMALUX

BetaLED SP

// TECHNICAL DATA

ITEM NO.: 595-032-001

Operating voltage	24 V DC
Rated output	6x2 W
Ambient temp.	-5°C - max. 40°C
System of protection	IP65
Protection class	SK II
Weight	1,04 kg
Glass plate	Borosilicate
Lamp housing	Aluminium, lacquered
Type of lighting	Articulated lamp
Scope of application	Industrial sector



// LIGHT SOURCES

Number of LEDs	6
Current	0,5 A
Luminous flux	1020 lm
Light efficiency	85 lm / W
Light colour	6500 K

// BALLAST (external)

Output voltage	24 V DC
Output power	min. 16 W

// ELECTRICAL CONNECTION

Connection	1,8 m connection cable
------------	------------------------

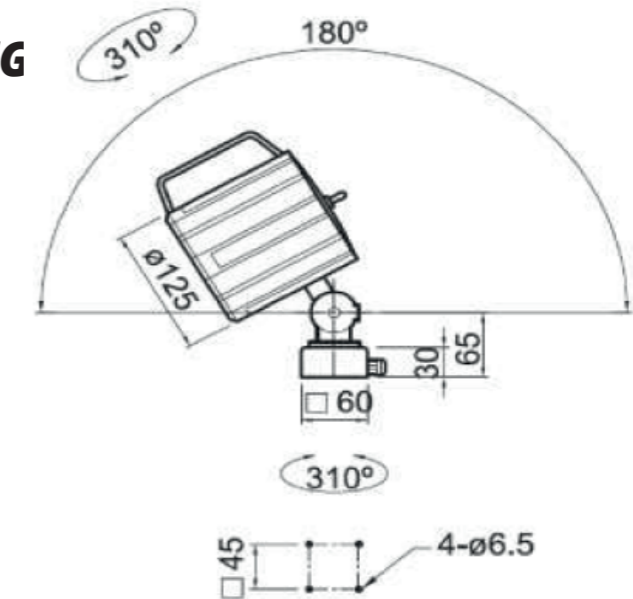
// FEATURES

- Robust aluminium housing
- Easy positioning due to handle on the lamp head
- Spotlight – illumination of a specific point
- Flexible and easy positioning
- Further versions available (lamp head with switch)

// SHORT OVERVIEW

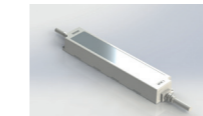
TYPE	ITEM NO.	VOLTAGE	POWER	LUMINOUS/LUMEN	COVERAGE	DIMENSIONS/ MM	CONNECTION
BetaLED SP	595-032-001	24 V DC	6x2W	1020	Borosilicate	40x65x60	1,8m cable

// TECHNICAL DRAWING



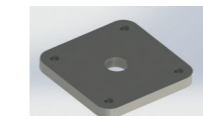
// FIXING / ACCESSORIES (optional)

Power supply SELV (IP67)



ITEM NO. 213-820-219
Input: 110-240 V | 50-60 Hz
Output: 24 V DC | max. 25 W

Fixation plate



ITEM NO. 350-003-060
for rotary base in stainless steel 1.4301

Screw terminal



ITEM NO. 599-001-006
for rotary base fixing

Magnet

Ø 80mm 45x45 with fixing screws

ITEM NO. 599-002-002

Mounting bracket

for rotary base fixing

ITEM NO. 599-001-009

// STANDARDS

EN 55015:2016-04
EN 60598-1:2015-10
EN 62031:2015-09

TECHMALUX

// 12 LEDSPOT PRODUCT SERIES

OUR SPOTS GET TO THE POINT!

LedSpot

What can we say about our spotlights?
To put it briefly: Good things come in small packages!
We find that sums it up pretty well!
The place-saving spotlights are real „power packages“
which reliably provide focused illumination.

All our spots are characterised by an appealing,
round housing design – extremely robust, straightforward
and captivating through their simple elegance.

There are several versions of TECHMALUX spots available:
from a recessed version to a screw version over a spot made
of stainless steel – all there!

Selected products are equipped with an integrated optical
system which allows an even more precise focused illumination.
This brings us back to the heading of this page:
Our LED spots simply get to the point!

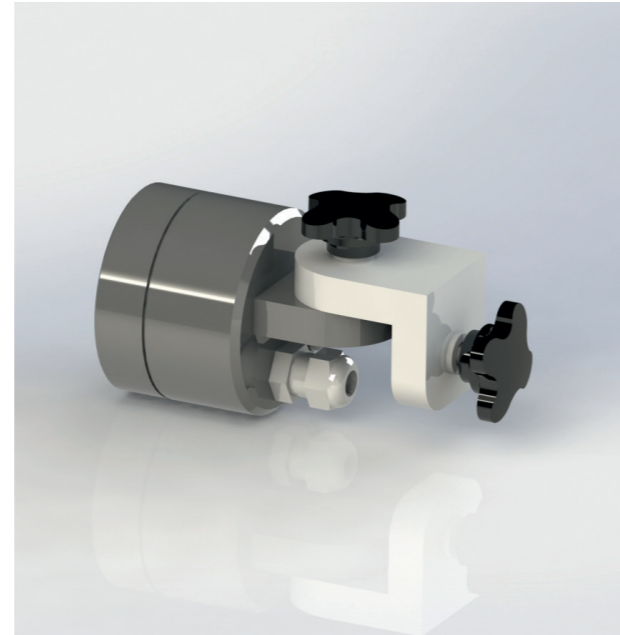


LEDSpot 3x3 W

// TECHNICAL DATA

ITEM NO.: 595-030-003

Operating mode	Constant current 700 mA
Rated output	9 W
Ambient temp.	-5°C - max. 40°C
System of protection	IP67
Protection class	SK II
Weight	0,48 kg
Glass plate	Borosilicate
Lamp housing	Aluminium, anodized
Type of lighting	Spotlight
Beam angle	10°



// LIGHT SOURCES

Number of LEDs	3
Lifetime	50.000 h
Colour rendering	Ra > 75
Current	700 mA
Luminous flux	560 lm
Light efficiency	62 lm / W
Light colour	6000 K

// BALLAST (external)

Output voltage	10,2 V - 12,3 V at 700mA Constant current
----------------	----------------------------------------------

// ELECTRICAL CONNECTION

Connection	2 m connection cable
------------	----------------------

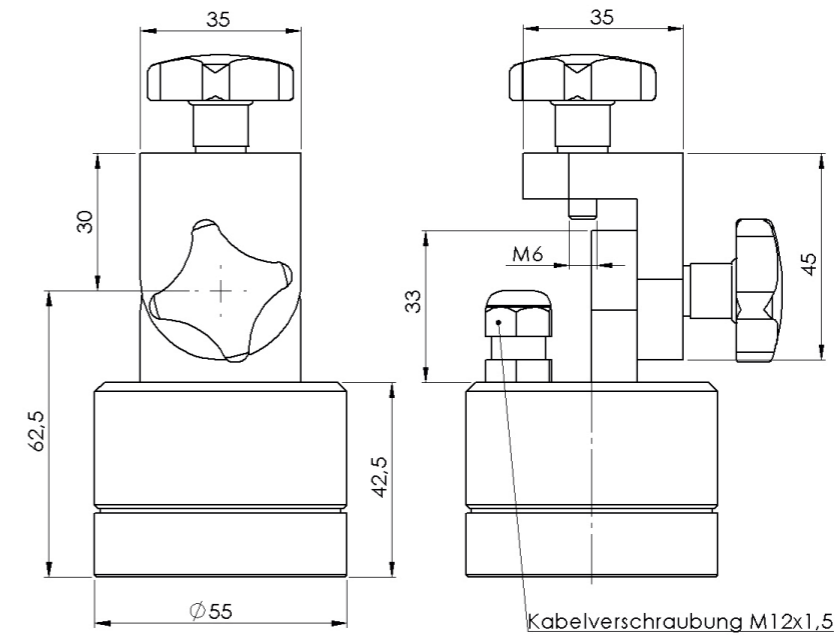
// FEATURES

- Easy, quick and simple mounting
- Connection cable included
- Flexibility – tiltable!
- Small & compact
- Light colour 6000 K

// SHORT OVERVIEW


TYPE	ITEM NO.	CONSTANT CURRENT	POWER	LUMINOUS/LUMEN	COVERAGE	DIMENSIONS/ MM	CONNECTION
LED Spot 3x3	595-030-003	700 mA	9 W	560	Borosilicate	Ø55x75,5	2 m cable

// TECHNICAL DRAWING



// ACCESSORIES (optional)

LED-converter

	ITEM NO. 213-820-201
	700 mA 220-240 V 50-60Hz
	145 x 22 x 22 mm

// STANDARDS

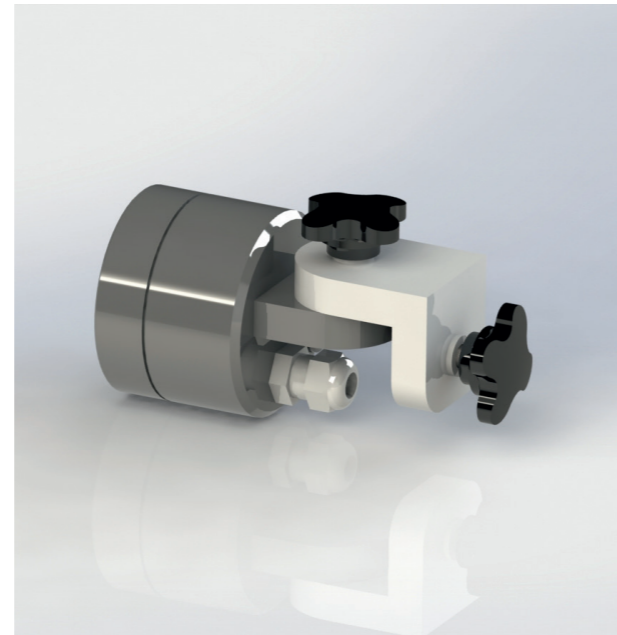
EN 55015:2016-04
EN 60598-1:2015-10
EN 62031:2015-09

TECHMALUX

// TECHNICAL DATA

ITEM NO.: 595-030-004

Operating voltage	24 V DC
Rated output	7,2 W
Ambient temp.	-5°C - max. 40°C
System of protection	IP20
Protection class	SK II
Weight	0,8 kg
Glass plate	Borosilicate
Lamp housing	Aluminium, anodized
Type of lighting	Spotlight
Scope of application	Industrial sector



// LIGHT SOURCES

Number of LEDs	6
Lifetime	> 60.000 h
Colour rendering	Ra > 80
Current	300 mA
Energy efficiency class	A ++
Luminous flux	770 lm
Light efficiency	107 lm / W
Light colour	5000 K

// BALLAST (external)

Output voltage	24 V DC
Output power	min. 12 W

// ELECTRICAL CONNECTION

Connection	2,5 m connection cable
Pin assignment	Pin 1: + 24 V DC; Pin 2: GND

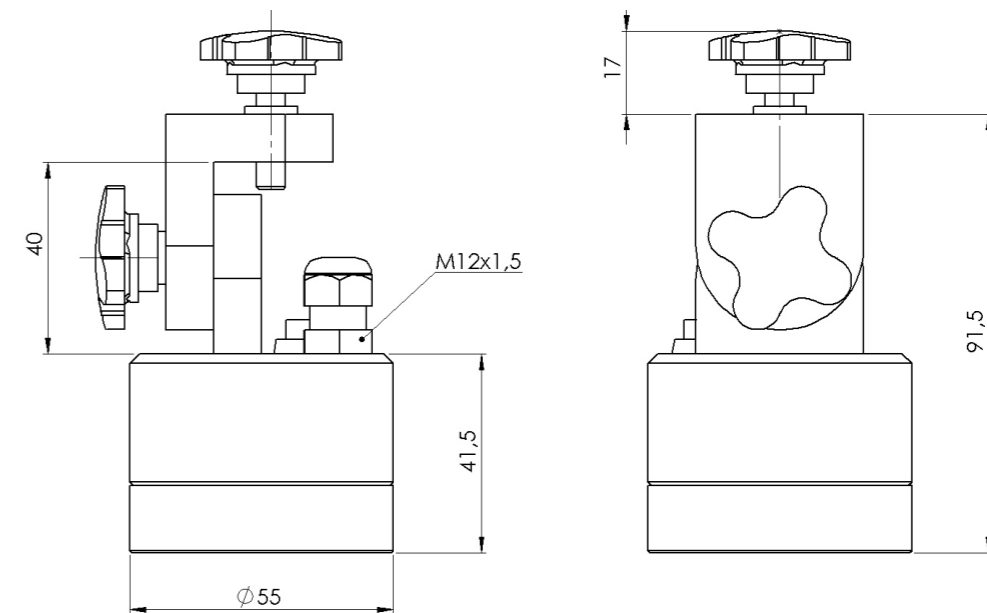
// FEATURES

- Robust aluminium housing
- Compact spotlight with switch
- Connection cable included
- Flexible illumination, tiltable
- Good light output

// SHORT OVERVIEW

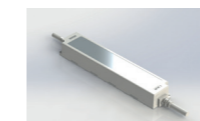
TYPE	ITEM NO.	VOLTAGE	POWER	LUMINOUS/ LUMEN	COVERAGE	DIMENSIONS/ MM	CONNECTION
LED Spot	595-030-004	24 V DC	7,2 W	770	Borosilicate	Ø55x75,5	2,5 m cable

// TECHNICAL DRAWING



// ACCESSORIES (optional)

Power supply SELV (IP67)



ITEM NO. 213-820-219

Input: 110-240 V | 50-60 Hz

Output: 24 V DC | max. 25 W

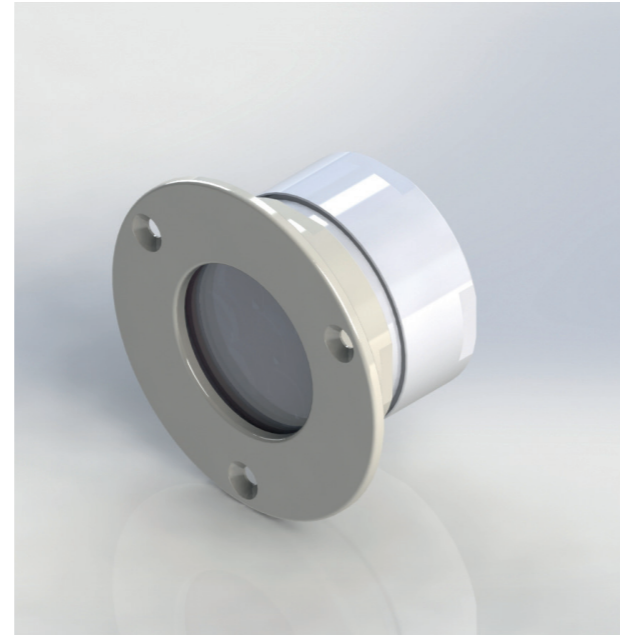
// STANDARDS

EN 55015:2016-04
EN 60598-1:2015-10
EN 62031:2015-09

// TECHNICAL DATA

ITEM NO.: 595-030-005

Operating voltage	24 V DC
Rated output	7,2 W
Ambient temp.	-5°C - max. 40°C
System of protection	IP67
Protection class	SK II
Weight	0,275 kg
Glass plate	Borosilicate
Lamp housing	Aluminium, anodized
Type of lighting	Built-in lamp
Beam angle	20°



// LIGHT SOURCES

Number of LEDs	6
Lifetime	> 60.000 h
Colour rendering	Ra > 80
Current	300 mA
Energy efficiency class	A +
Luminous flux	700 lm
Light efficiency	97 lm / W
Light colour	3000 K

// BALLAST (external)

Output voltage	24 V DC
Output power	min. 12 W

// ELECTRICAL CONNECTION

Type of connection	Flange plug M12x1, A-coded
Pin assignment	Pin 1: + 24 V DC; Pin 2: GND

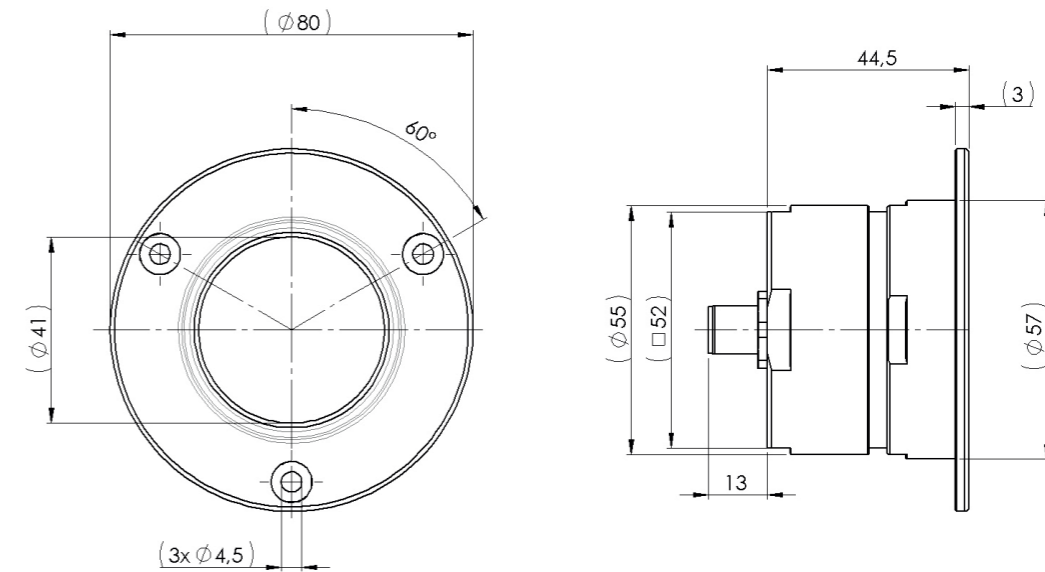
// FEATURES

- Practical recessed version
- Low heat level of the luminaire
- Low maintenance & service-friendly
- Quick and easy installation
- Ideal illumination of the workplace – optics 20°

// SHORT OVERVIEW

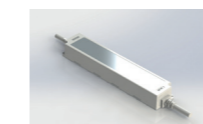
TYPE	ITEM NO.	VOLTAGE	POWER	LUMINOUS/LUMEN	COVERAGE	DIMENSIONS/MM	PLUG
LED Spot	595-030-005	24 V DC	7,2 W	700	Borosilicate	Ø55x75,5	M12

// TECHNICAL DRAWING



// ACCESSORIES (optional)

Power supply SELV (IP67)



ITEM NO. 213-820-219

Input: 110-240 V | 50-60 Hz

Output: 24 V DC | max. 25 W

Cable box

4 pol. M12x1-A

plastic locking, IP67

ITEM NO. 213-080-058

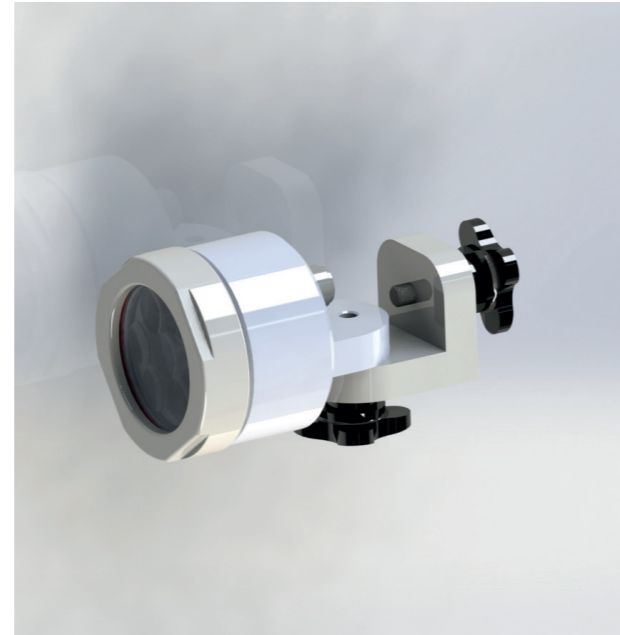
// STANDARDS

EN 55015:2016-04
EN 60598-1:2015-10
EN 62031:2015-09

// TECHNICAL DATA

ITEM NO.: 595-030-006

Operating voltage	24 V DC
Rated output	7,2 W
Ambient temp.	-5°C - max. 40°C
System of protection	IP67
Protection class	SK II
Weight	0,356 kg
Glass plate	Borosilicate
Lamp housing	Aluminium, anodized
Type of lighting	Spotlight
Beam angle	20°



// LIGHT SOURCES

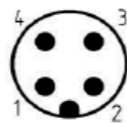
Number of LEDs	6
Lifetime	> 60.000 h
Colour rendering	Ra > 80
Current	300 mA
Energy efficiency class	A ++
Luminous flux	770 lm
Light efficiency	107 lm / W
Light colour	5000 K

// BALLAST (external)

Output voltage	24 V DC
Output power	min. 12 W

// ELECTRICAL CONNECTION

Type of connection	Flange plug M12x1, A-coded
Pin assignment	Pin 1: + 24 V DC; Pin 2: GND



// FEATURES

- Robust aluminium housing
- Compact and efficient – great spotlight
- Practical screw version
- Protection against temporary submersion
- M12 plug connector

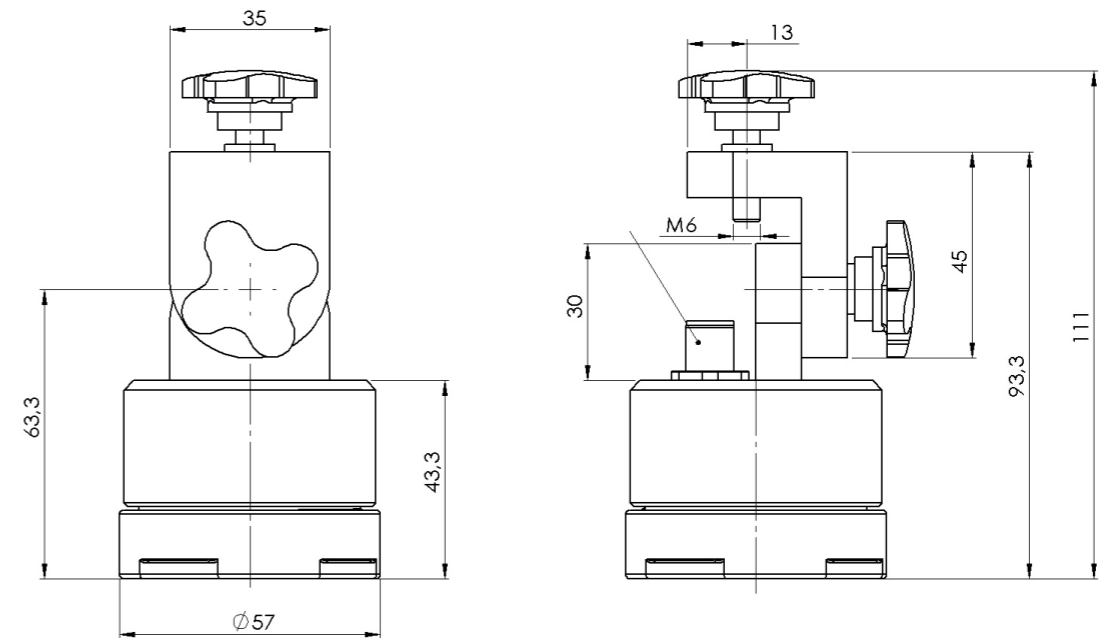
// SHORT OVERVIEW

TYPE	ITEM NO.	VOLTAGE	POWER	LUMINOUS/ LUMEN	COVERAGE	DIMENSIONS/ MM	PLUG
LED Spot	595-030-006	24 V DC	7,2 W	770	Borosilicate	Ø55x75,5	M12

// VARIATIONS

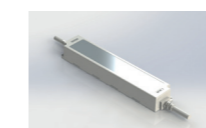
TYPE	ITEM NO.	VOLTAGE	POWER	LUMINOUS/ LUMEN	COVERAGE	DIMENSIONS/ MM	CONNECTION
LED Spot	595-030-007	24 V DC	7,2 W	770	Borosilicate	Ø 55x75,5	cable, 5m
LED Spot	595-030-008	24 V DC	7,2 W	770	PMMA	Ø 55x75,5	M12

// TECHNICAL DRAWING



// ACCESSORIES (optional)

Power supply SELV (IP67)

	ITEM NO. 213-820-219
	Input: 110-240 V 50-60 Hz
	Output: 24 V DC max. 25 W

Cable box

4 pol. M12x1-A
plastic locking, IP67
ITEM NO. 213-080-058

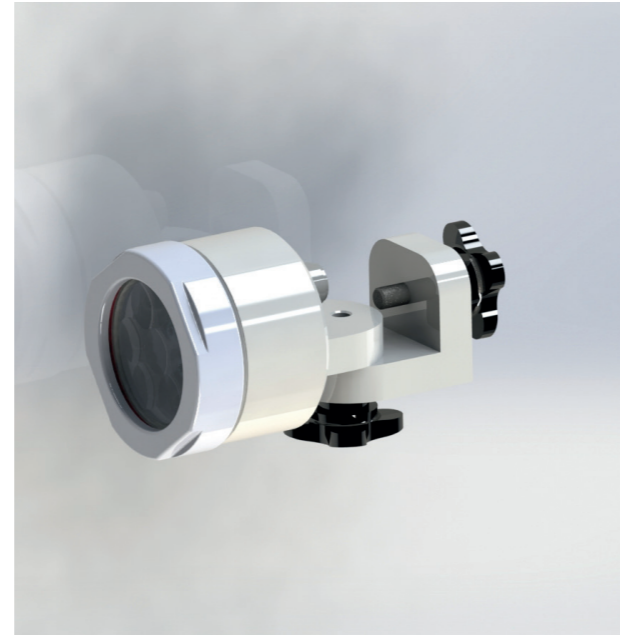
// STANDARDS

EN 55015:2016-04
EN 60598-1:2015-10
EN 62031:2015-09

// TECHNICAL DATA

ITEM NO.: 595-030-009

Operating voltage	24 V DC
Rated output	7,2 W
Ambient temp.	-5°C - max. 40°C
System of protection	IP67
Protection class	SK II
Weight	0,95 kg
Schutzscheibe	PMMA
Lamp housing	Stainless steel
Type of lighting	Spotlight
Beam angle	20°



// LIGHT SOURCES

Number of LEDs	6
Lifetime	> 60.000 h
Colour rendering	Ra > 80
Current	300 mA
Energy efficiency class	A ++
Luminous flux	770 lm
Light efficiency	107 lm / W
Light colour	5000 K

// BALLAST (external)

Output voltage	24 V DC
Output power	min. 12 W

// ELECTRICAL CONNECTION

Type of connection	Flange plug M12x1, A-coded
Pin assignment	Pin 1: + 24 V DC; Pin 2: GND



// FEATURES

- Robust stainless steel housing
- Connection to machine voltage 24 V DC
- High-quality stainless steel version – ideal for use e.g. in the food sector
- M12 plug connector

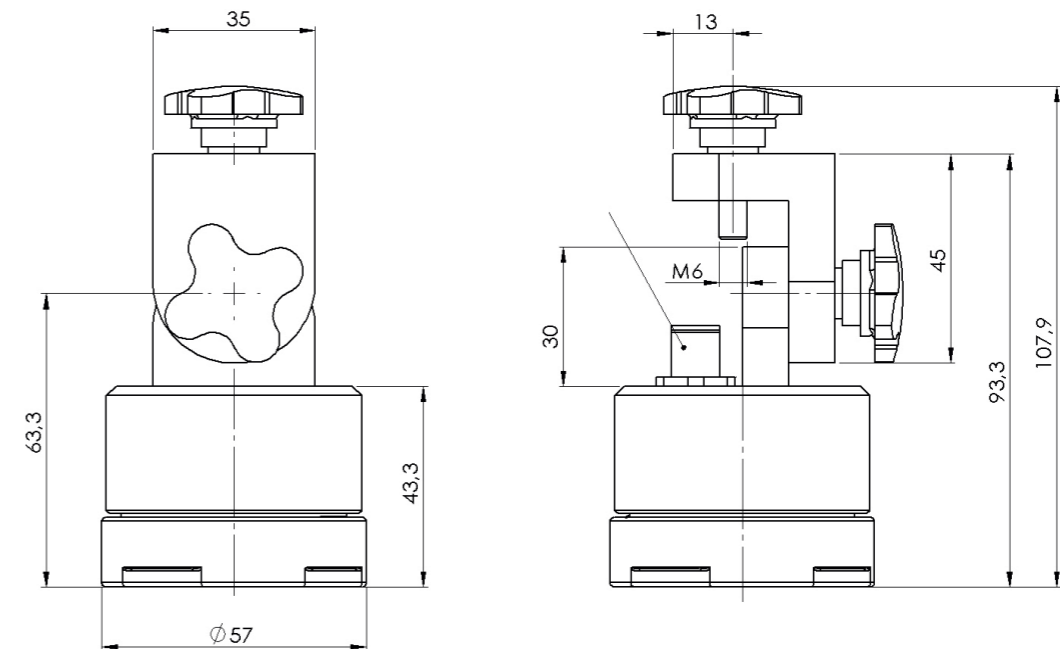
// SHORT OVERVIEW

TYPE	ITEM NO.	VOLTAGE	POWER	LUMINOUS/ LUMEN	COVERAGE	DIMENSIONS/ MM	PLUG
LED Spot	595-030-009	24 V DC	7,2 W	770	PMMA	Ø55x73,3	M12

// VARIATIONS

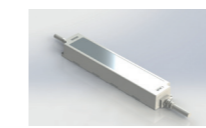
TYPE	ITEM NO.	VOLTAGE	POWER	LUMINOUS/ LUMEN	COVERAGE	DIMENSIONS/ MM	PLUG
LED Spot	595-030-010	24 V DC	7,2 W	770	PMMA	Ø 55x75,5	M12

// TECHNICAL DRAWING



// ACCESSORIES (optional)

Power supply SELV (IP67)

	ITEM NO. 213-820-219
	Input: 110-240 V 50-60 Hz
	Output: 24 V DC max. 25 W

Cable box

4 pol. M12x1-A
plastic locking, IP67
ITEM NO. 213-080-058

// STANDARDS

EN 55015:2016-04
EN 60598-1:2015-10
EN 62031:2015-09

// 13 MONOLED PRODUCT SERIES

ADAPTABLE WORKPLACE LAMPS

MonoLED

The name says it all: one LED installed in a robust housing with a flexible gooseneck arm which can be adjusted quickly and easily - that's the MonoLED.

With our MonoLED you can focus the light wherever you need it. However, its applications are not just restricted to classical fields, like e.g. plant and mechanical engineering. At smaller workplaces, too, like e.g. inspection workstations, the MonoLED provides focused illumination of the workplace.

The flexible gooseneck arm allows you to manually and easily direct the compact lamp head to the desired position.

Within the product series we offer two different operating voltages - 24 V DC and 230 V AC.

Our MonoLED lamps are flexible, robust and reduced to the essentials - or simply put: our MonoLED are quite convenient!



MonoLED

// TECHNICAL DATA

ITEM NO.: 596-026-001

Operating voltage	230 V AC 50 Hz
Rated output	3 W
Ambient temp.	-5°C - max. 40°C
System of protection	IP65
Protection class	SK II
Weight	1,1 kg
Beam angle	15°
Type of lighting	Gooseneck lamp
Scope of application	Industrial sector



// LIGHT SOURCES

Number of LEDs	1
Luminous flux	80 lm
Light colour	5500 K

// BALLAST (internal)

Constant current	700 mA
Output voltage	3-4 V DC

// ELECTRICAL CONNECTION

Cable gland	M16 x 1,5 PA
Connection	Connection cable 1,8 m
Internal connection	luster terminal

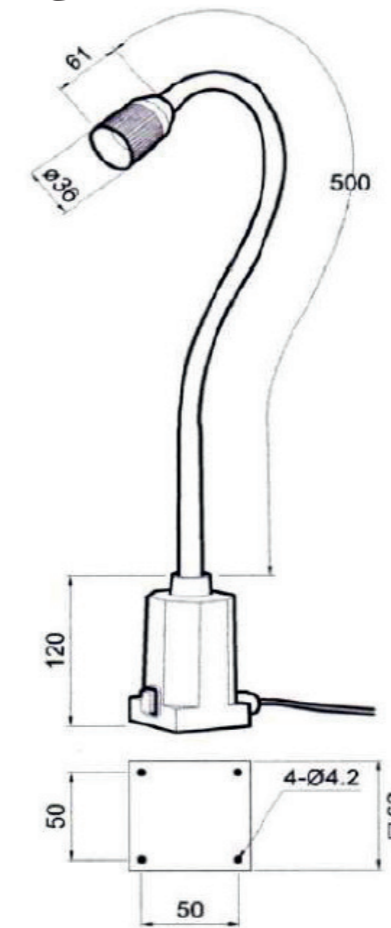
// FEATURES

- Adjustable workplace lamp – flexible gooseneck arm
- Focused illumination of the workplace
- Connection to 230 V
- LED lamp
- Connection cable included

// SHORT OVERVIEW

TYPE	ITEM NO.	VOLTAGE	POWER	LUMINOUS/ LUMEN	ARM-LENGTH/ MM	BEAM ANGLE	SUPPLY LINE
MonoLED	596-026-001	230 V AC	3 W	280	flexibel 500	15°	1,8 m

// TECHNICAL DRAWING



// FIXING (optional)

Screw terminal
Hole spacing 50 x 50 mm
ITEM NO. 213-720-031

// STANDARDS

EN 55015:2016-04
EN 60598-1:2015-10
EN 62031:2015-09
EN 61000-4-4:2013-4
EN 61000-3-2:2015-3
EN 61000-4-5:2015-03
EN 61000-3-3:2014-03

TECHMALUX

MonoLED

// TECHNICAL DATA

ITEM NO.: 596-026-002

Operating voltage	24 V DC
Rated output	5 W
Ambient temp.	-5°C - max. 40°C
System of protection	IP65
Protection class	SK II
Weight	0,67 kg
Beam angle	15°
Coverage	Glas
Type of lighting	Gooseneck lamp
Scope of application	Industrial sector



// SHORT OVERVIEW

TYPE	ITEM NO.	VOLTAGE	POWER	LUMINOUS/ LUMEN	ARM-LENGTH/ MM	BEAM ANGLE	SUPPLY LINE
MonoLED	596-026-002	24 V DC	5 W	280	flexibel 500	15°	1,8 m

// TECHNICAL DRAWING



// LIGHT SOURCES

Number of LEDs	1
Luminous flux	280 lm
Light colour	5500 K

// BALLAST (external)

Output voltage	24 V DC
Output power	min. 10 W

// ELECTRICAL CONNECTION

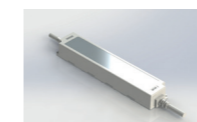
Cable gland	M16 x 1,5 PA
Connection	Connection cable 1,8 m
Internal connection	luster terminal

// FEATURES

- Focused illumination of the workplace
- Flexibility & mobility
- Connection to machine voltage 24 V DC
- Light colour 5500 K
- Connection cable included

// FIXING / ACCESSORIES (optional)

Power supply SELV (IP67)



ITEM NO. 213-820-219

Input: 110-240 V | 50-60 Hz

Output: 24 V DC | max. 25 W

Screw terminal

Hole spacing 50 x 50 mm

ITEM NO. 213-720-031

// STANDARDS

- EN 55015:2016-04
- EN 60598-1:2015-10
- EN 62031:2015-09
- EN 61000-4-4:2013-4
- EN 61000-3-2:2015-3
- EN 61000-4-5:2015-03
- EN 61000-3-3:2014-03

TECHMALUX

// 14 POLYLED PRODUCT SERIES

ROBUSTNESS MEETS FLEXIBILITY

PolyLED

What slightly resembles a camera is in reality our popular PolyLED lamp.

„Poly“ means „more“, „diverse“, „a lot“.
Which also applies to our lamp series.

Our PolyLED can do MORE! More than many other workplace lamps:
it is rotatable, swivelling, tiltable. The convenient handle at the
lamp head allows you to direct the light exactly where you need it.
The optics of 20° ensures focused illumination directly on to a specific point.

Our PolyLED is DIVERSE – or let us say „different“: Due to the combination of
a robust housing and a relatively „warm“ light colour of 3000 K, the PolyLED
creates a pleasant blend of hard and soft. A resistant body and light which
provides a pleasant work environment – that’s how it should be!

Finally, it may be concluded: our PolyLED simply can do a LOT!

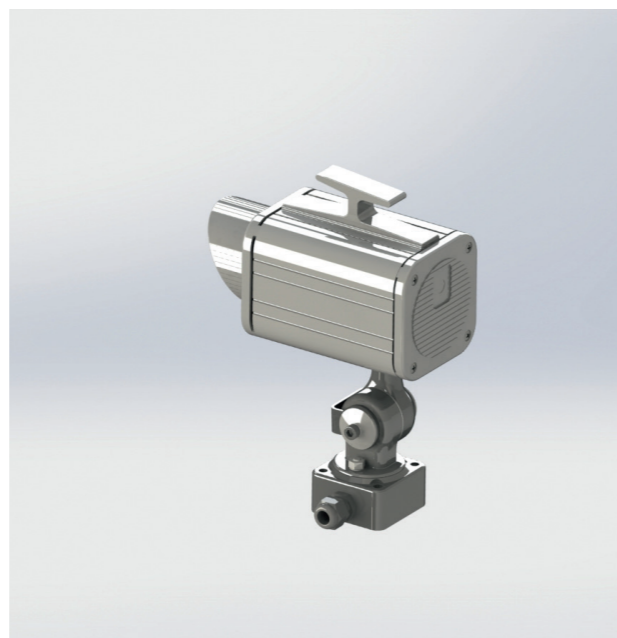


PolyLED SP

// TECHNICAL DATA

ITEM NO.: 595-011-010

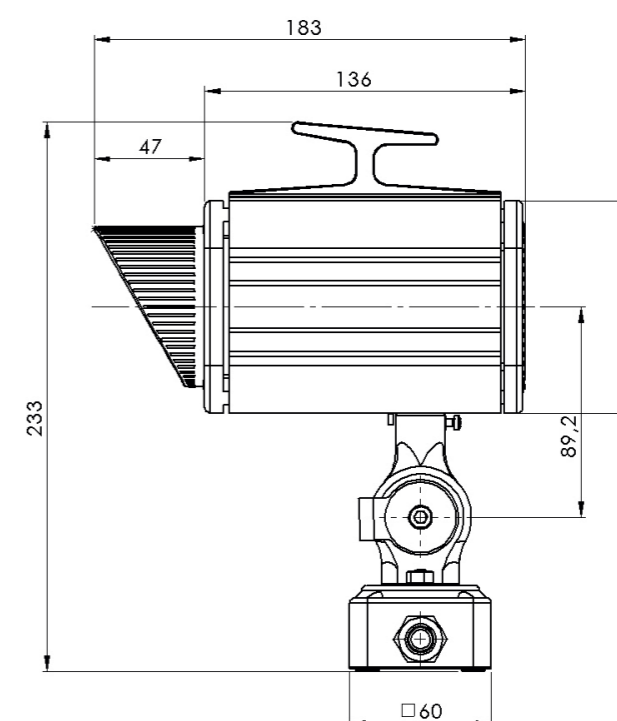
Operating voltage	24 V DC
Rated output	7,2 W
Ambient temp.	-5°C - max. 40°C
System of protection	IP67
Protection class	SK II
Weight	1,46 kg
Coverage	Tempax
Lamp housing	Aluminium, anodized
Type of lighting	Articulated lamp
Scope of application	Industrial sector



// SHORT OVERVIEW

TYPE	ITEM NO.	VOLTAGE	POWER	LUMINOUS/LUMEN	COVERAGE	DIMENSIONS/MM	CONNECTION
PolyLED SP	595-011-010	24 V DC	7,2 W	700	Tempax	233x183x60	cable gland

// TECHNICAL DRAWING



// LIGHT SOURCES

Number of LEDs	6
Beam angle	20°
Current	300 mA
Lifetime	> 60.000 h
Luminous flux	700 lm
Light efficiency	97 lm / W
Light colour	3000 K

// BALLAST (external)

Output voltage	24 V DC
Output power	min. 12 W

// ELECTRICAL CONNECTION

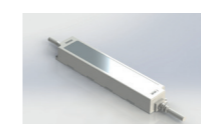
Cable gland	M16 x 1,5 PA
Internal connection	Luster terminal

// FEATURES

- Robust aluminium lamp housing
- Practical handle at the lamp head
- Rotatable and tiltable – flexible illumination
- Connection to machine voltage 24 V DC
- Various accessories available – for even more flexibility

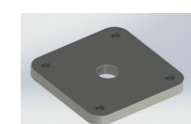
// FIXING / ACCESSORIES (optional)

Power supply SELV (IP67)



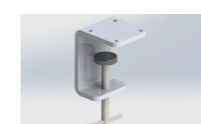
ITEM NO. 213-820-219
Input: 110-240 V | 50-60 Hz |
Output: 24 V DC | max. 25 W

Fixation plate



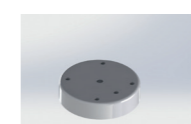
ITEM NO. 350-003-060
for rotary base in stainless steel 1.4301

Screw terminal



ITEM NO. 599-001-006
for rotary base fixing

Magnet



213-720-005
Ø 80mm

// STANDARDS

EN 55015:2016-04
EN 60598-1:2015-10

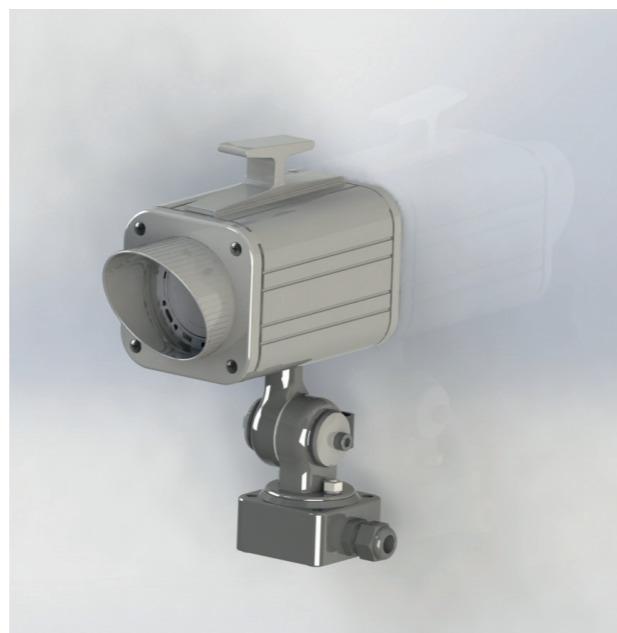
TECHMALUX

PolyLED SP

// TECHNICAL DATA

ITEM NO.: 595-011-011

Operating voltage	230 V AC 50 Hz
Rated output	20 W
Ambient temp.	-5°C - max. 40°C
System of protection	IP67
Protection class	SK I
Weight	1,77 kg
Coverage	Tempax
Lamp housing	Aluminium, anodized
Type of lighting	Articulated lamp
Scope of application	Industrial sector



// LIGHT SOURCES

Number of COB	1
Beam angle	60°
Colour rendering	Ra = 90
Luminous flux	1900 lm
Light colour	4000 K

// ELECTRICAL CONNECTION

Cable gland	M16 x 1,5 PA
Type of connection	luster terminal
Internal electrical lines	Multinorm wires

// FEATURES

- Robust aluminium housing
- Illumination directly on to a point – rotatable and tiltable head
- Quick positioning of the lamp via practical handle
- Connection to 230 V AC
- Resistant against common coolants and lubricants

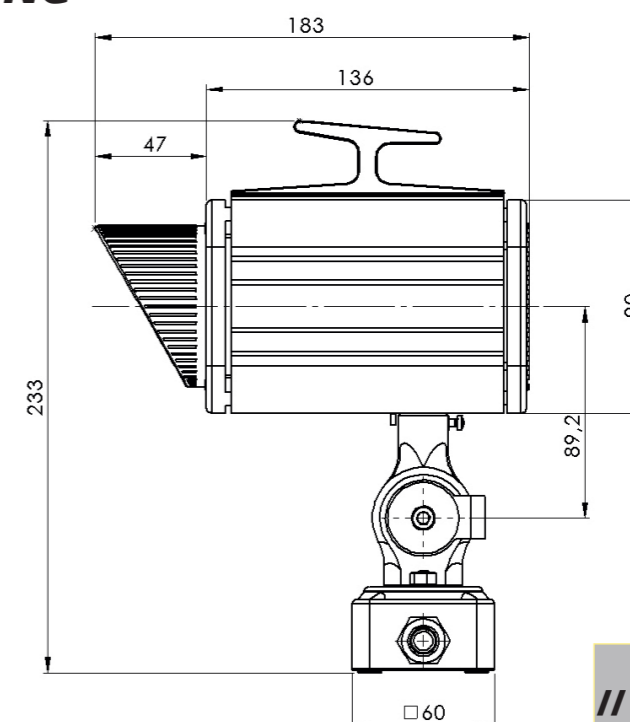
// SHORT OVERVIEW

TYPE	ITEM NO.	VOLTAGE	POWER	LUMINOUS/ LUMEN	COVERAGE	DIMENSIONS/ MM	CONNECTION
PolyLED SP	595-011-011	230 V AC	20 W	1900	Tempax/ Lens 60°	233x183x60	cable gland

// VARIATIONS

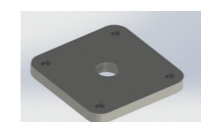
TYPE	ITEM NO.	VOLTAGE	POWER	LUMINOUS/ LUMEN	COVERAGE	DIMENSIONS/ MM	CONNECTION
PolyLED SP	595-011-012	230 V AC	20 W	1900	Tempax/ Lens 25°	233x183x60	cable gland
PolyLED SP	595-011-013	230 V AC	20 W	1900	Tempax/ Lens 60°	350x350x90	cable gland

// TECHNICAL DRAWING



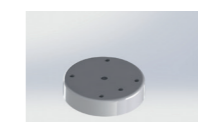
// FIXING (optional)

Fixation plate



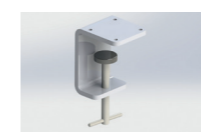
ITEM NO. 350-003-060
for rotary base in Stainless steel 1.4301

Magnet



213-720-005
Ø 80mm

Screw terminal



ITEM NO. 599-001-006
for rotary base fixing

// STANDARDS

EN 55015:2016-04
EN 60598-1:2015-10
EN 62031:2015-09

TECHMALUX



// SPECIAL SOLUTIONS

The term „machine“ is very versatile, as versatile as our line of TECHMALUX machine lamps. Our various lamps correspond to the individual requirements of our customers and the respective applications. You still have not found a suitable product in our overview?

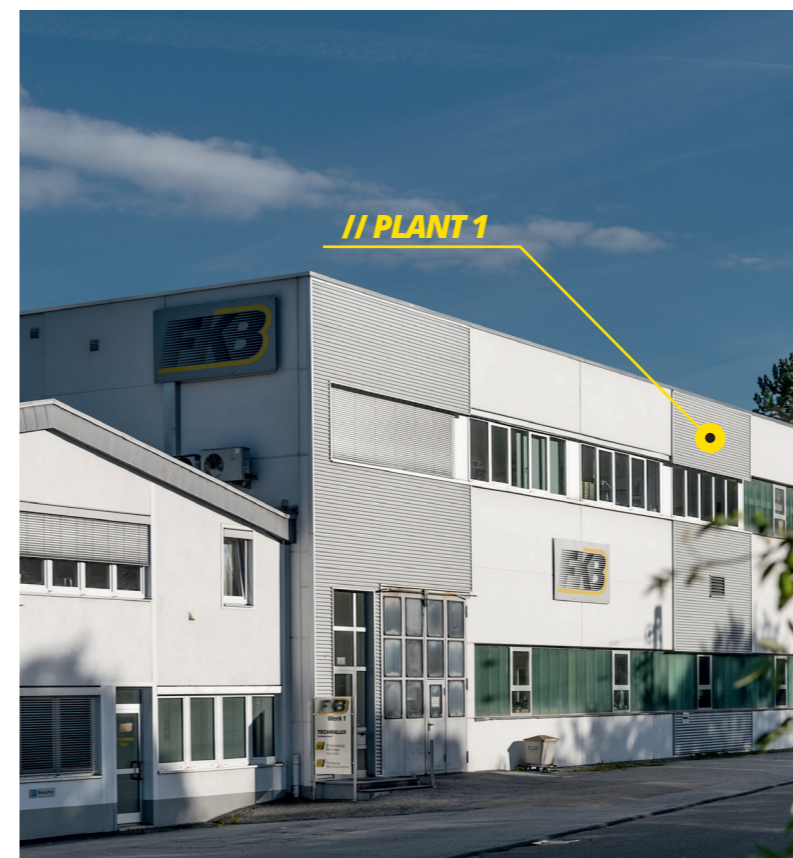
Please contact us – together we will find a lamp that suits your needs!

DIRECTIONS / LOCATION

// GETTING TO FKB GMBH

Oberndorf is located in the Neckar valley between the Black Forest and the Swabian Alb close to the motorway A 81, which is connecting Stuttgart and the Western Lake Constance, and has its own interchange. It is also situated on the main road B 14 between Rottweil and Horb.

There are railway links to all major cities in the surroundings as well as to Switzerland and to Italy.





**FEINWERKTECHNIK
KUNSTSTOFFVERARBEITUNG
BELEUCHUNGSTECHNIK**

Wehrstrasse 15/27
D-78727 Oberndorf

Tel.: +49 (0) 7423/9298-0
Fax: +49 (0) 7423/9298-57

LICHT@FKB-GMBH.COM
WWW.FKB-GMBH.COM

presented by: