

PRODUCT DATA SHEET

GammaLED G

Item no.: 595-029-001

// TECHNICAL DATA

Operating voltage	230 V AC
Frequency	50 Hz
Rated output	5 W
Ambient temp.	-5°C - max. 40°C
System of protection	IP65
Protection class	SK I
Weight	1,69 kg
Protective plate	Glass
Lamp housing	Aluminium, anodized
Type of lighting	Tubular lamp



// LIGHT SOURCES

Number of LEDs	3
Lifetime	50.000 h
Colour rendering	Ra > 70
Luminous flux	500 lm
Light output	100 lm / W
Light colour	5000 K
Energy efficiency class	F
<small>(acc. EU-regulation 2019/2015)</small>	

// ELECTRICAL CONNECTION

Type of connection	Flange plug M16x1,5, PA
Pin assignment	L = brown, N = blue, PE = yellow-green
Internal lines	Terminal block

// BALLAST (internal)

Input voltage	230 V AC
Output voltage	3-21 V DC

// STANDARDS

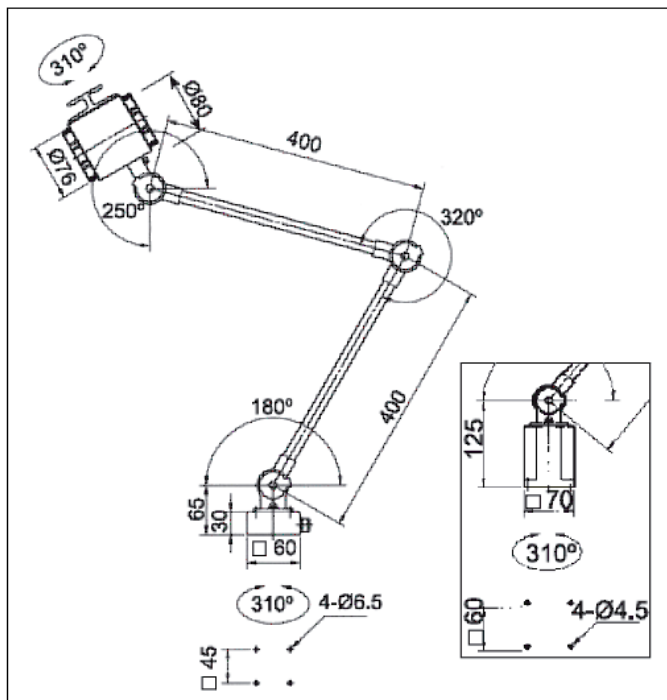
EN 55015:2016-04 | EN 60598-1:2018-09 | EN 6100-4-4:2013-04 | EN 61000-4-5:2015-03 | EN 62031:2020-08 | EN 61000-3-2:2015-03 |
EN 61000-3-3:2014-03 | EN 61000-4-2:2009-12

PRODUCT DATA SHEET

GammaLED G

Item no.: 595-029-001

// TECHNICAL DRAWING



Note: Information on general considerations and the technology regarding earthing and wiring for Reduction of system faults can be found in IEC 61000-5-1 or IEC 61000-5-2.
Changes to technical data reserved. Pictures may differ from the original.

TECHMALUX