

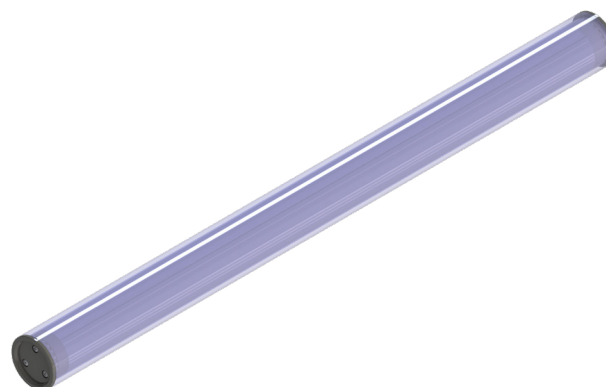
PRODUCT DATA SHEET

RoLED70/5025

Item no.: 591-155-025

// TECHNICAL DATA

Operating voltage	24 / 48 V AC
Rated output	37 W
Ambient temp.	-10°C - max. 55°C
System of protection	IP67
Protection class	SK III
Weight	2,6 kg
Protection tube	Borosilicate
Lamp housing	Aluminium, anodized
Type of lighting	Tubular lamp



// LIGHT SOURCES

Number of LEDs	120
Lifetime	> 50.000 h
Colour rendering	Ra > 80
Luminous flux	4280 lm
Light output	137 lm / W
Light colour	5000 K
Energy efficiency class	D
<small>(acc. EU-regulation 2019/2015)</small>	

// ELECTRICAL CONNECTION

Type of connection	Cable gland
Clamping area	Clamping area 4-6,5 mm
Internal lines	Multinorm-lines

// BALLAST (internal)

Output voltage	24 V DC
Output power	min. 60 W
LED driver	Item no.: 213-820-060

// STANDARDS

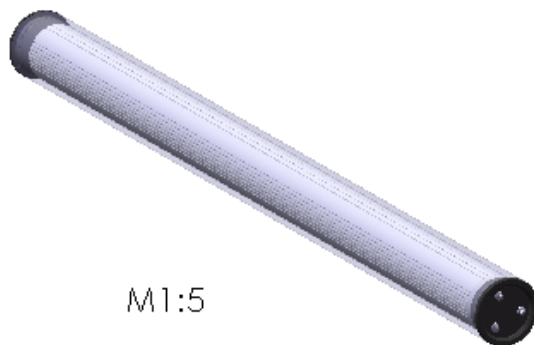
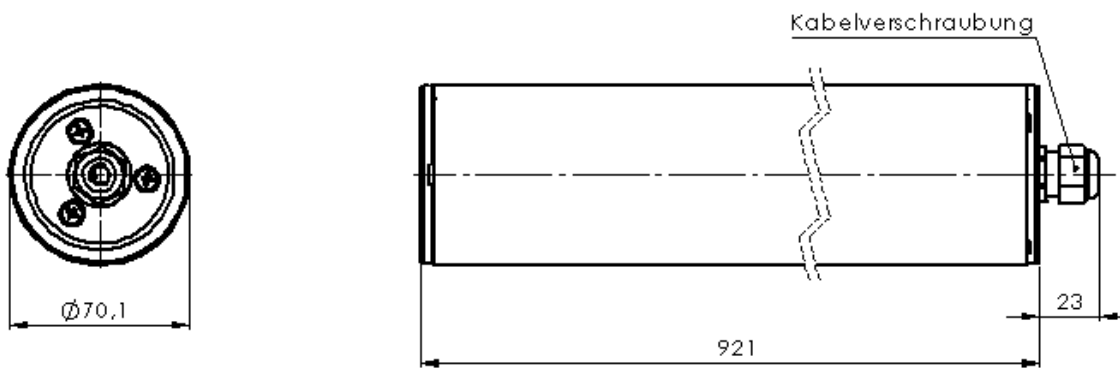
EN 55015:2016-04 | EN 60598-1:2018-09 | EN 61000-4-2:2009-12 | EN 6100-4-4:2013-04 | EN 62031:2020-08 | EN 61000-4-5:2015-03 | UL 2108

PRODUCT DATA SHEET

RoLED70/5025

Item no.: 591-155-025

// TECHNICAL DRAWING



M1:5